

INDICE - INDEX

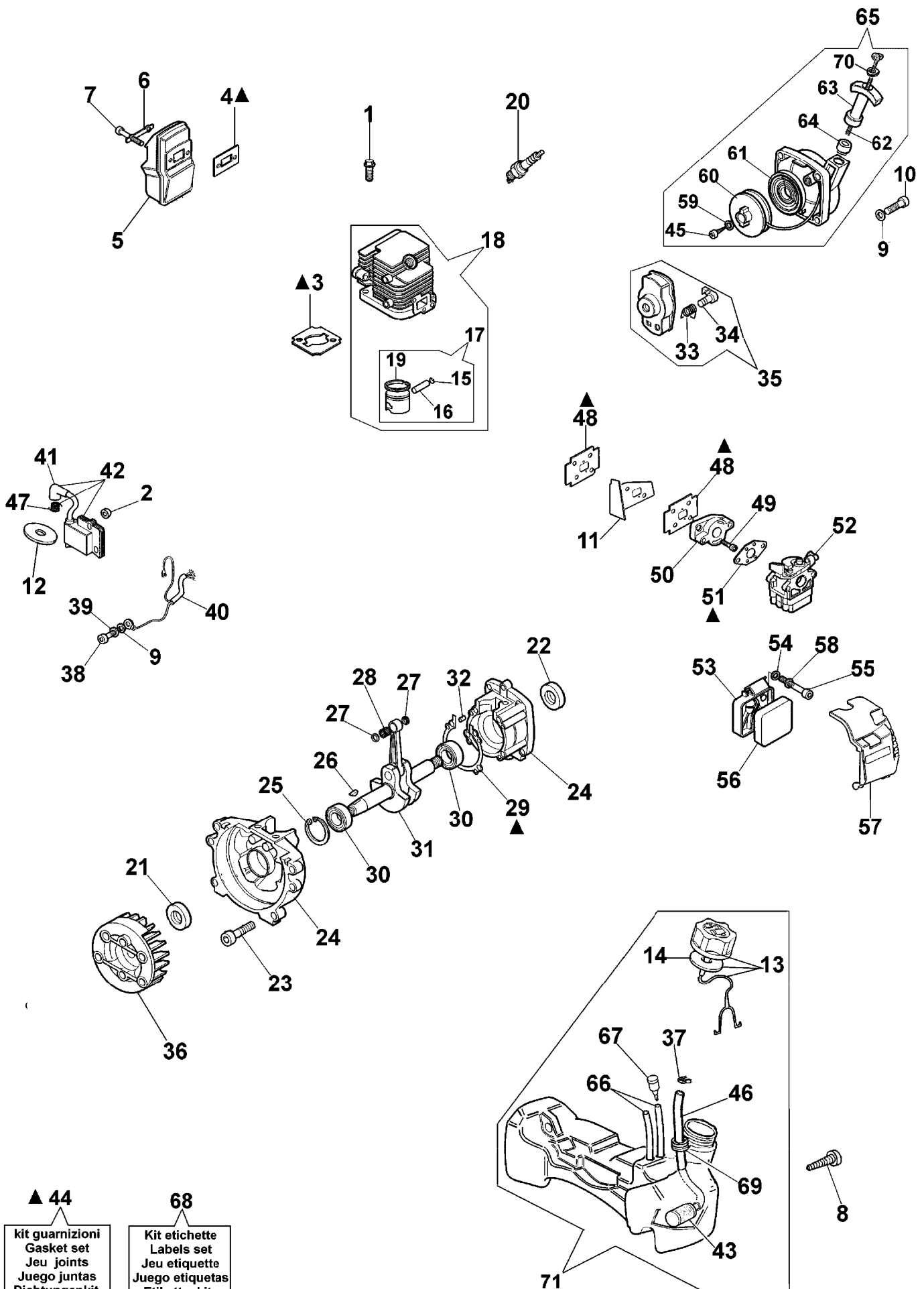
Dynamac - Dynamac - Dynamac - Dynamac - Dynamac

DF 26 V - ERGO

Avviamento e Motore - Starter Assy and Engine - Démarrage et Moteur -	
Arranque y Motor - Anlassen und Motor	pag. 2
Gruppo Ventola - Fan Assy - Groupe Ventilateur - Grupo Ventilator - Lüfterradgruppe ...	pag. 6
Carburatore - Carburator - Carburateur - Carburador - Vergaser	pag. 8
Accessori - Accessoires - Accessories - Accesorios - Schneidwerkzeuge	pag. 10

Avviamento e Motore - Starter Assy and Engine
 Démarrage et Moteur - Arranque y Motor - Anlassen und Motor

mod. DF 26 V - ERGO



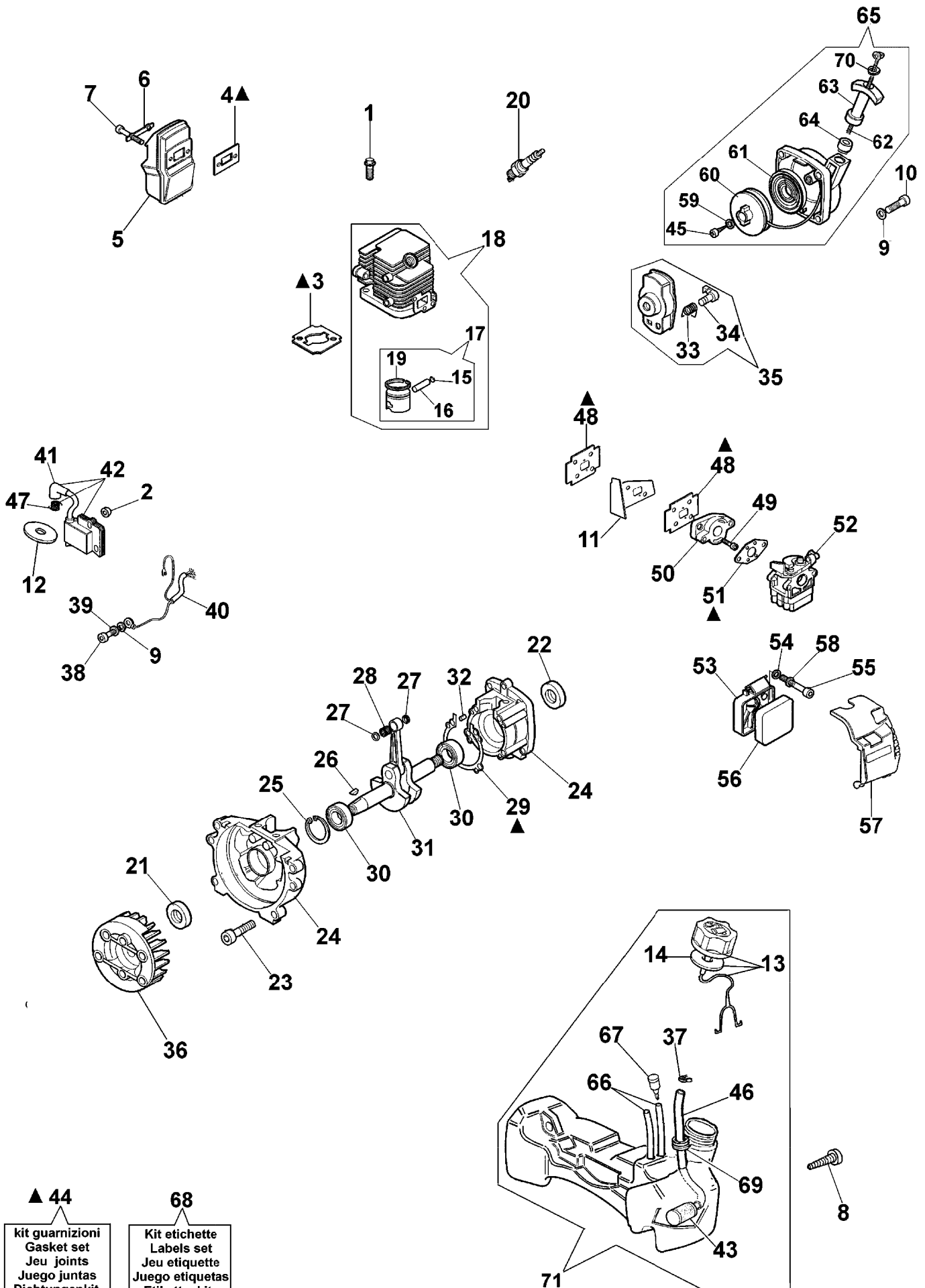
**Avviamento e Motore - Starter Assy and Engine
Démarrage et Moteur - Arranque y Motor - Anlassen und Motor**

mod. DF 26 V - ERGO

Ref.	Codice p.n.	Q.tà Q.ty	Descrizione Italiano	Description English	Description Français	Descripcion Español	Beschreibung Deutsch
1	61070060	2	VITE	SCREW	VIS	TORNILLO	SCHRAUBE
2	61070043	2	DISTANZIALE	SPACER	ENTRETOISE	SEPARADOR	DISTANZSTUCK
3	61070059	1	GUARN. CILIN.	GASKET	JOINT	JUNTA	ZYLINDERDICHTUNG
4	61070033	1	GUARNIZIONE MARM	GASKET	JOINT	JUNTA ESCAPE	MUFFLERDICHTUNG
5	56510010	1	MARMITTA	MUFFLER	POT	ESCAPE	SCHALLDAMPFER ...
6	61070055	1	LAMIERINO	PLATE	TOLE	PLAQUETA	BLECH
7	3806027	2	VITE	SCREW	VIS	TORNILLO	SCHRAUBE
8	3960057	2	VITE	SCREW	VIS	TORNILLO	SCHRAUBE
9	3916004	6	RONDELLA	WASHER	RONDELLE	ARANDELA	KUGELSCHEIBE
10	3801002	4	VITE	SCREW	VIS	TORNILLO	SCHRAUBE
11	56510080	1	DEFLETTORE	DEFLECTOR	DEFLECTEUR	DEFLECTOR	
12	56510069	1	GUARNIZIONE	GASKET	JOINT	JUNTA	DICHTUNG
13	61070079R	1	TAPPO COMPL.	COMPL. CAP	BOUCHON CPL.	TAPON CPL.	DECKEL KPL.
14	61070006	1	GUARNIZIONE	GASKET	JOINT	JUNTA	DICHTUNG
15	61070067	2	ANELLO	RING	BAGUE	ANILLO	KRANZ
16	61070066	1	SPINOTTO	PISTON PIN	AXE DU PISTON	PASADOR	KOLBENBOLZEN
17	61070071	1	PISTONE COMPL. ...	PISTON ASSY.D.34 ...	PISTON	PISTON	KOLBEN KPL.
18	61070072	1	KIT CIL.-PISTONE ...	CYL.ASSY D.34	KIT CILINDRE-PIS ...	KIT CILINDRO PIS ...	ZYLINDERKOLBEN K
19	61070065	1	SEGMENTO	PISTON RING D.34 ...	SEGMENT	SEGMENTO	KOLBENRING
20	3055104	1	CANDELA	SPARK PLUG	BOUGIE	BUJIA	KUNDKERZE
21	61070075	1	ANELLO DI TENUTA	SEAL RING	BAGUE	ANILLO	MINUTERING
22	61070074	1	ANELLO DI TENUTA	SEAL RING	BAGUE	ANILLO	MINUTERING
23	61070063	4	VITE	SCREW	VIS	TORNILLO	SCHRAUBE
24	61070061	1	BASAMENTO	CRANKCASE	CARTER MOTEUR ...	BASE	MOTORGEHAUSE ...
25	3025019	1	ANELLO	SEEGER RING	BAGUE	ANILLO	KRANZ
26	61070070	1	LINGUETTA	KEY	CLE	CHAVETA	FEDERKEIL
27	61070068	2	RALLA	SPACER	BUTEE	RANGUA	SCHEIBE
28	61070076	1	CUSCINETTO	NEEDLE ROLLER BE	ROULEMENT	COJINETE	LAGER
29	61070062	1	GUARN. SEMICARTE	GASKET	JOINT	JUNTA SEMICARTER	GEHAUSEDICHTUNG
30	3034010	2	CUSCINETTO	BEARING	ROULEMENT	COJINETE	LAGER
31	61070069	1	ALBERO MOTORE ..	CRANKSHAFT	VILEBREQUIN	CIGUENAL	KURBELWELLE
32	61070073	3	SPINA	PIN	EPINE	PASADOR	STECKER
33	61070039	1	MOLLA	SPRING	RESSORT	RESORTE	FEDER
34	61070038	1	CRICCHETTO	PAWL	CLIQUET	TRINQUETE	KLINKE
35	61070053	1	TRASCINATORE	CLUTCH DRIVER	ENTRAINEUR	ARRASTRADOR	MITNEHMER
36	61070017A	1	VOLANO	FLYWHEEL	VOLANT	VOLANTE	SCHWUNGRADSEITE
37	4098377	1	FASCETTA	CLIP	BANDE	ABRAZADERA	SHELLE
38	006000085	2	VITE	SCREW	VIS	TORNILLO	SCHRAUBE
39	3819005	2	RONDELLA	WASHER	RONDELLE	ARANDELA	KUGELSCHEIBE
40	61070012	1	CAVETTO	CABLE	CAVET	CABLE	KABEL
41	094600097A	1	PIPETTA	SPARK PLUG CAP ...	PIPETTE	PIPETA	STECHHEBER
42	56510066R	1	BOBINA	IGNITION COIL	BOBINE	BOBINA	ZUNDSPUHLE
43	094600450	1	FILTRO MIX	FUEL FILTER	FILTRE MIX	FILTRO MIX	LUFTFILTER
44	61130060	1	SERIE GUARNIZ.	GASKET SET	JOINT KIT	KIT JUNTAS	DICHTUNGSATZ
45	3960070	1	VITE	SCREW	VIS	TORNILLO	SCHRAUBE
46	4100415	1	TUBO	TUBE	TUYAU	TUBO	SCHLAUCH
47	094600169	1	MOLLA	SPRING	RESSORT	RESORTE	FEDER
48	61070007	2	GUARNIZIONE	GASKET	JOINT	JUNTA	DICHTUNG
49	3801047	2	VITE	SCREW	VIS	TORNILLO	SCHRAUBE

Avviamento e Motore - Starter Assy and Engine
 Démarrage et Moteur - Arranque y Motor - Anlassen und Motor

mod. DF 26 V - ERGO



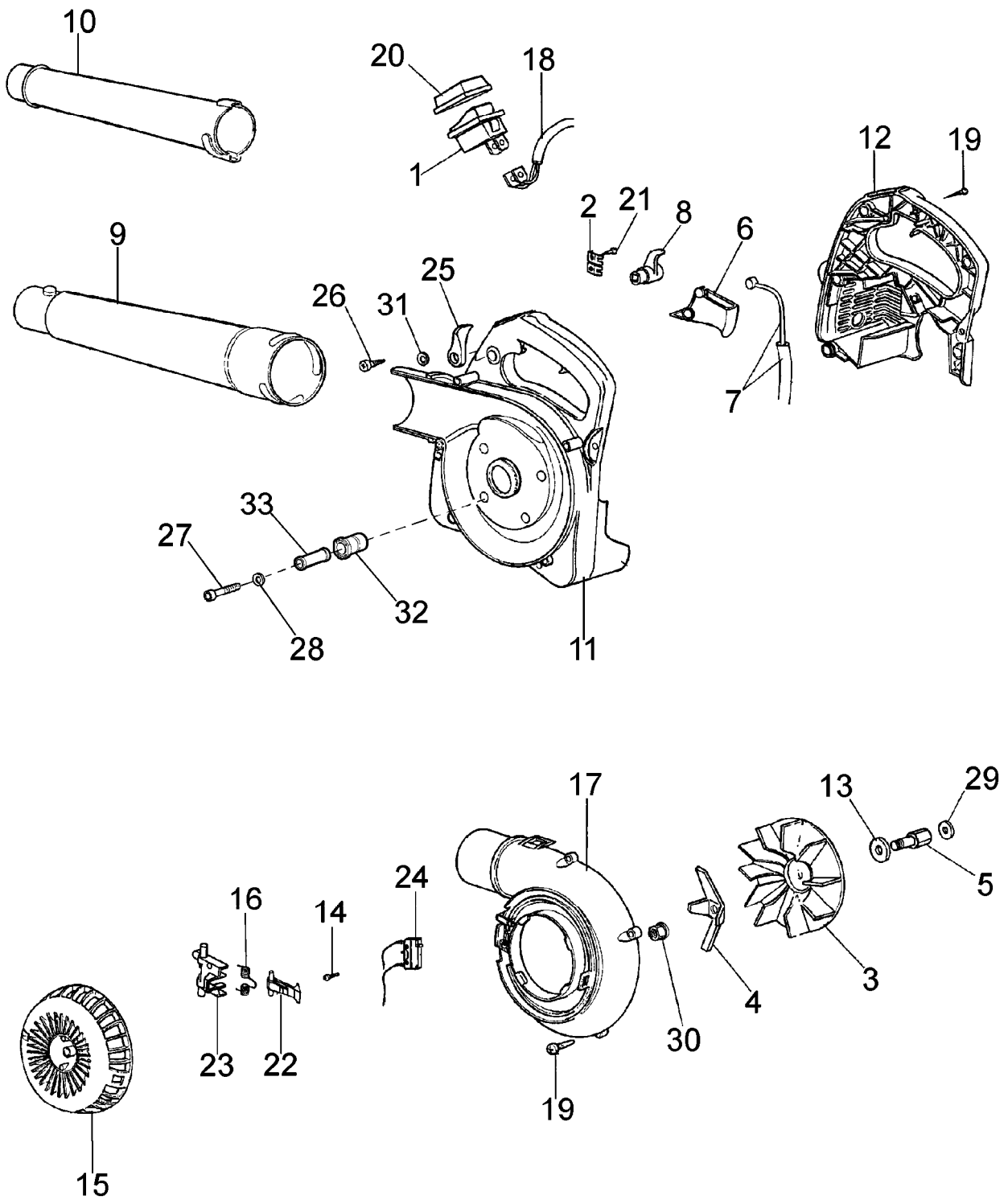
**Avviamento e Motore - Starter Assy and Engine
Démarrage et Moteur - Arranque y Motor - Anlassen und Motor**

mod. DF 26 V - ERGO

Ref.	Codice p.n.	Q.tà Q.ty	Descrizione Italiano	Description English	Description Français	Descripcion Español	Beschreibung Deutsch
50	61070004	1	FLANGIA TERMICA .	INSULATOR	BRIDE	BRIDA TERMICA	FLANSCH
51	4161438	1	GUARNIZIONE	GASKET	JOINT	JUNTA	DICHTUNG
52	2318992	1	CARBURATORE	CARBURETOR	CARBURATEUR	CARBURADOR	VERGASER
53	61070003C	1	SUPP. FILTRO	SUPPORT	SUPP. FILTRE	SOPORTE FILTRO	FILTERHALTER
54	61040020	2	BOCCOLA	BUSHING	COQUILLE	BUJE	DISTANZRING
55	61052009	2	VITE	SCREW	VIS	TORNILLO	SCHRAUBE
56	61070005	1	FILTRO ARIA	AIR FILTER	FILTRE AIRE	FILTRO AIRE	LUFTFILTER
57	56510045	1	COPERCHIO	COVER	CARTER CHAINE	TAPA	DECKEL
58	3833073	2	RONDELLA	WASHER	RONDELLE	ARANDELA	KUGELSCHEIBE
59	094600451	1	RONDELLA	WASHER	RONDELLE	ARANDELA	KUGELSCHEIBE
60	61070035AR	1	PULEGGIA	PULLEY	POULIE	POLEA	STARTERTERTZIL
61	61070036R	1	MOLLA	SPRING	RESSORT	RESORTE	FEDER
62	61070019A	1	FUNE AVVIAMENTO	STARTER ROPE	LANCEMENT	CUERDA ARRANQUE	STARTERSEIL
63	093500397	1	IMPUGN. AVV.	HANDLE	POIGNEE	EMPUNADURA	STARTER GRIFF
64	072700089	1	BOCCOLA	BUSHING	COQUILLE	BUJE	BUCHSE
65	56512012B	1	CARTER AVV.	STARTER ASSY	CARTER	CARTER	DECKEL
66	61070078	2	TUBO	TUBE	TUYAU	TUBO	SCHLAUCH
67	61070011A	1	VALVOLA SFIATO ...	TANK BREATHER	SOUPAPE	VALVULA	ENTLUEFTUNGSVENT
68	56512024	1	SERIE ETICH.	LABELS SET CS52 ...	LIVRET INSTRUC.	KIT ETIQUETAS	ETICHETTENKIT
69	4161211	1	PASSATUBO	BUSH	PASSETUBE	PASATUBO	BUCHSE
70	006000829	1	RONDELLA	WASHER	RONDELLE	ARANDELA	KUGELSCHEIBE
71	56510088	1	SERBATOIO	TANK	RESERVOIR	TANQUE	BENZINTANK

Gruppo Ventola - Fan Assy
Groupe Ventilateur - Grupo Ventilator - Lüfterradgruppe

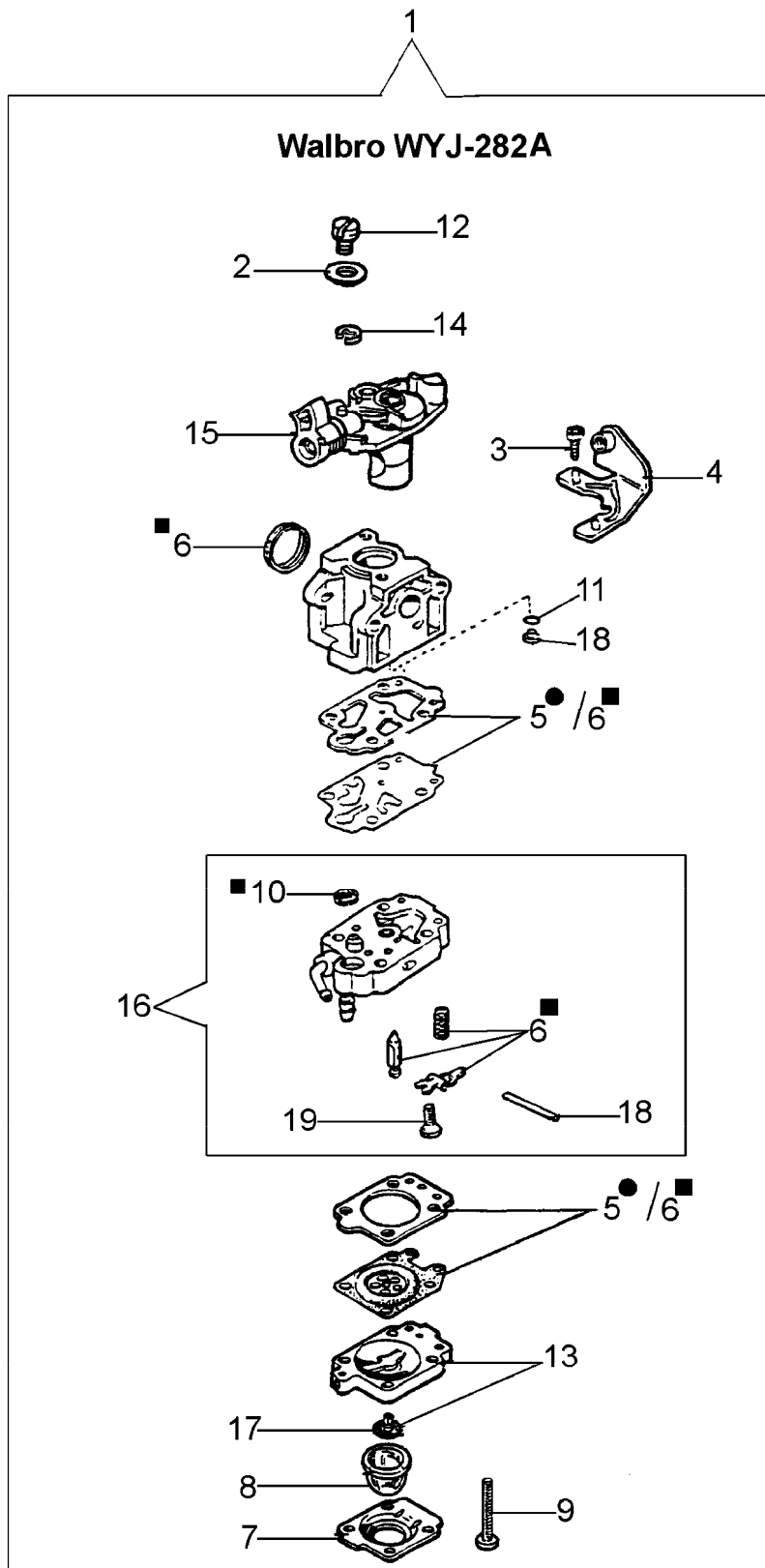
mod. DF 26 V - ERGO



**Gruppo Ventola - Fan Assy
Groupe Ventilateur - Grupo Ventilator - Lüfterradgruppe**

mod. DF 26 V - ERGO

Ref.	Codice p.n.	Q.tà Q.ty	Descrizione Italiano	Description English	Description Français	Descripcion Español	Beschreibung Deutsch
1	2317021	1	INTERRUTTORE	SWITCH	INTERRUPTEUR	INTERRUPTOR	SCHALTER
2	4191069B	2	PIASTRINA	PLATE	PLAQUE	PLAQUETA	STREIFEN
3	56510004	1	VENTOLA	FAN	ECRAIN A MAIN	VENTILADOR	LUEFTERRAD
4	56510005	1	COLTELLO	TOOL CUTTER	COUPEAU	CUCHILLA	MESSER
5	56510079	1	PERNO	PIN	BOULON	PERNO	STIFT
6	56510013	1	ACCELERATORE	THROTTLE	ACCELERATEUR	ACELERADOR	GASHEBEL
7	56510014	1	CAVO ACCEL.	THROTTLE CABLE ...	CABLE	CABLE ACEL.	STARTERKABEL
8	56510015	1	LEVA FERMO ACC. .	THROTTLE LEVER ...	LEVIER ACELER.	PALANCA	FESTHEBEL
9	56510018	1	TUBO DI LANCIO	BLOWER TUBE BLAC	TUYAU	TUBO	ABSCHUSSROHR
10	56510019	1	TUBO DI LANCIO	BLOWER TUBE BLAC	TUYAU	TUBO	ABSCHUSSROHR
11	56510084	1	CARTER	CASE	CARTER	CARCASA	GEHÄUSE
12	56510087	1	COPERCHIO	COVER	COUVERCLE	TAPA	DECKEL
13	56510050	1	RONDELLA	WASHER	RONDELLE	ARANDELA	KUGELSCHEIBE
14	3960069	2	VITE	SCREW	VIS	TORNILLO	SCHRAUBE
15	56510009	1	COPERCHIO	COVER	COUVERCLE	TAPA	DECKEL
16	56510011	1	MOLLA	SPRING	RESSORT	RESORTE	FEDER
17	56510035	1	SEMICHIOCCIOLA ...	HALF VOLUTE	FILIERE	SEMICARACOL	MUTTERBACKE
18	61070012	1	CAVETTO	CABLE	CAVET	CABLE	KABEL
19	3960057	10	VITE	SCREW	VIS	TORNILLO	SCHRAUBE
20	2317013	1	PROTEZIONE	GUARD	PROTECTION	PROTECCION	SCHUTZ
21	3960030	2	VITE	SCREW	VIS	TORNILLO	SCHRAUBE
22	56510024	1	LEVETTA	LEVER	LEVIER	PALANCA	SCHALTFINGER
23	56510063	1	COPERCHIO	COVER	COUVERCLE	TAPA	DECKEL
24	56510049	1	CAVETTO	CABLE	CAVET	CABLE	KABEL
25	58040089	1	LEVA	LEVER	LEVIER	PALANCA	HEBEL
26	3960067	1	VITE	SCREW	VIS	TORNILLO	SCHRAUBE
27	3801016	4	VITE	SCREW	VIS	TORNILLO	SCHRAUBE
28	3918010	4	RONDELLA	WASHER	RONDELLE	ARANDELA	KUGELSCHEIBE
29	3818011A	1	RONDELLA	WASHER	RONDELLE	ARANDELA	KUGELSCHEIBE
30	3980012	1	DADO	NUT	ECROU	TUERCA	MUTTER
31	3918003	1	RONDELLA	WASHER	RONDELLE	ARANDELA	KUGELSCHEIBE
32	56510077	1	ANTIVIBRANTE	RING PUFFER	AMORTISSEUR	ANTIVIBRADOR	GUMMI
33	56510078	1	DISTANZIALE	SPACER	ENTRETOISE	SEPARADOR	SISTANZSTUCK



5 ● KIT MEMBRANE & GUARNIZIONI
DIAPHRAGM & GASKET SET

6 ■ KIT RIPARAZIONE
REPAIR KIT

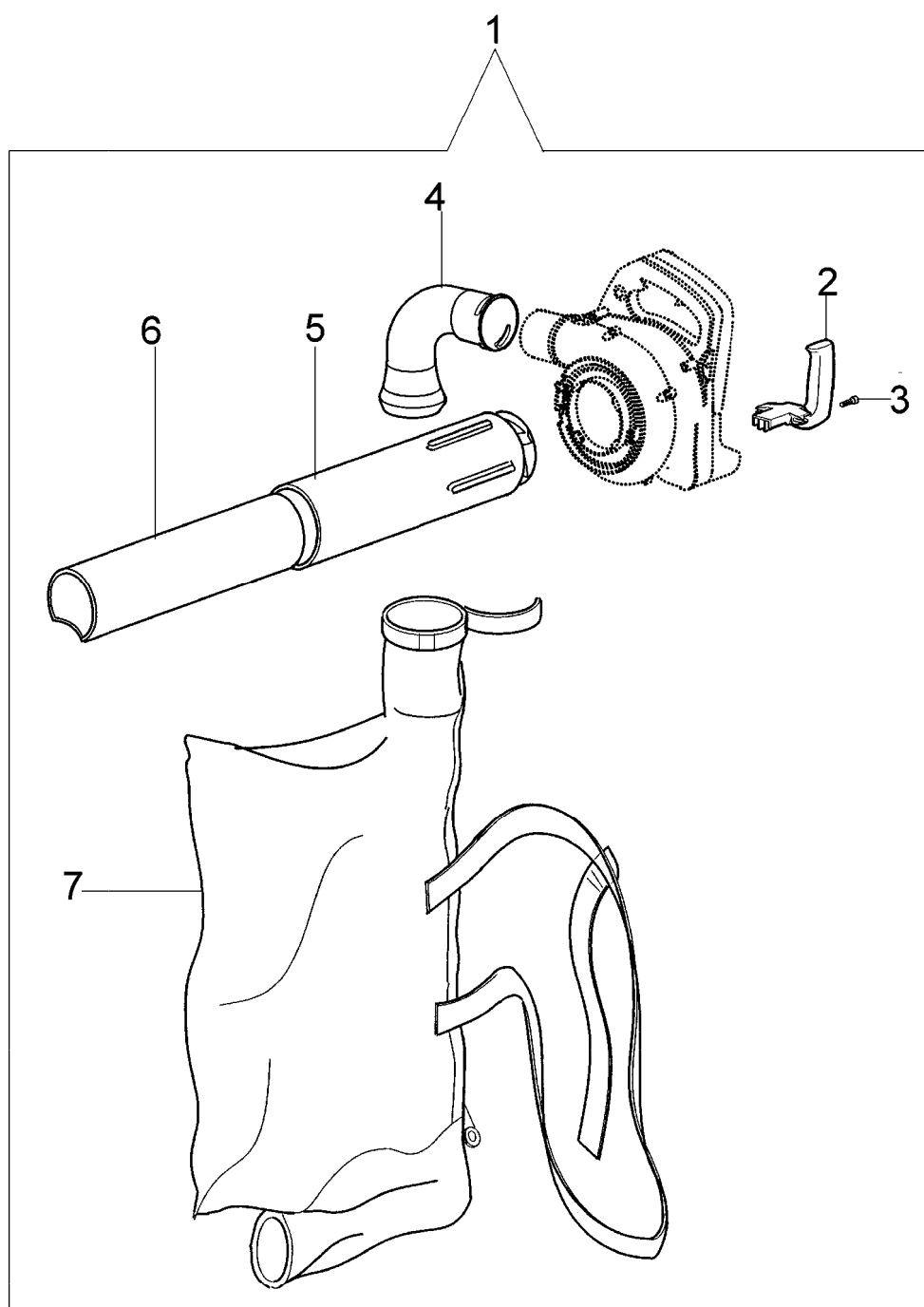
**Carburatore - Carburetor
Carbureteur - Carburador - Vergaser**

mod. DF 26 V - ERGO

Ref.	Codice p.n.	Q.tà Q.ty	Descrizione Italiano	Description English	Description Français	Descripcion Español	Beschreibung Deutsch
1	2318992	1	CARBURATORE	CARBURETOR	CARBURATEUR	CARBURADOR	VERGASER
2	2318703	1	RONDELLA	WASHER	RONDELLE	ARANDELA	KUGELSCHEIBE
3	2318580	1	VITE	SCREW	VIS	TORNILLO	SCHRAUBE
4	2318993	1	SUPPORTO	SNAP RING	SUPPORT	SOPORTE	HALTER
5	2318590	1	KIT GUARNIZIONI ...	GASKET SET	KIT JOINTS	JUEGO JUNTAS	DICHTUNGSATZ
6	2318591	1	KIT RIPARAZIONE ...	REPAIR KIT	KIT REPARATION	KIT REPARACION	AUSBESSERUNGSATZ
7	2318571	1	COPERCHIO	COVER	COUVERCLE	TAPA	DECKEL
8	2318572	1	POMPETTA	BUSH	POMPE	BOMBA	KUGEL
9	2318585	4	VITE FISSAGGIO	SCREW	VIS	TORNILLO	BEFESTIGUNGSSCHRA
10	003300204	1	FILTRO MIX	FUEL FILTER	FILTRE MIX	FILTRO MIX	LUFTFILTER
11	2318701	1	ANELLO OR	O-RING	BAGUE	ANILLO OR	SCHEIBE
12	2318572	1	POMPETTA	BUSH	POMPE	BOMBA	KUGEL
13	2318570	1	CORPO POMPA	BODY	COUVERCLE	CUERPO BOMBA	PUMPEGEHAUSE
14	2318189	1	ANELLO	CIRCLIP	BAGUE	ANILLO	KRANZ
15	2318814	1	VALVOLA	COMPL. VALVE	SOUPAPE	VALVULA	VENTIL
16	2318815	1	CORPO POMPA	PUMP BODY	CORPS POMPE	CUERPO BOMBA	PUMPEGEHAUSE
17	2318592	1	VALVOLA	VALVE	SOUPAPE	VALVULA	VENTIL
18	003300201	1	ASSE BILAN.	SCREW	AXE	EJE BALANCIN	BISSEL
19	2318569	1	VITE FISSAGGIO	SCREW	VIS	TORNILLO	SCHRAUBE

Kit aspiratore/Tritturatore

Optional vacuum / Shredder kit



**Accessori - Accessoires
Accessories - Accesorios - Schneidwerkzeuge**

mod. DF 26 V - ERGO

Ref.	Codice p.n.	Q.tà Q.ty	Descrizione Italiano	Description English	Description Français	Descripcion Español	Beschreibung Deutsch
1	56512009B	1	KIT ASPIRAZIONE ...	EXHAUSTER KIT	KIT ASPIRATION	KIT ASPIRACION	EINLASS KPL
2	56510089	1	IMPUGNATURA	HANDLE	POIGNEE	EMPUNADURA	HANDGRIFF
3	3960057	2	VITE	SCREW	VIS	TORNILLO	SCHRAUBE
4	56510017	1	GOMITO	ELBOW	COUDE	CODO	KURBEL
5	56510021A	1	TUBO ASPIRAZ.	HOSE	TUYAU	TUBO	EINLASSROEHR
6	56510031	1	TUBO ASPIRAZ.	TUBE	TUYAU	TUBO	EINLASSROEHR
7	56510059A	1	SACCO	BAG	BAC	SACO	SACK