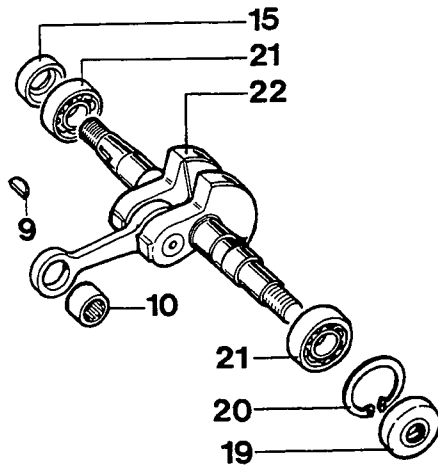
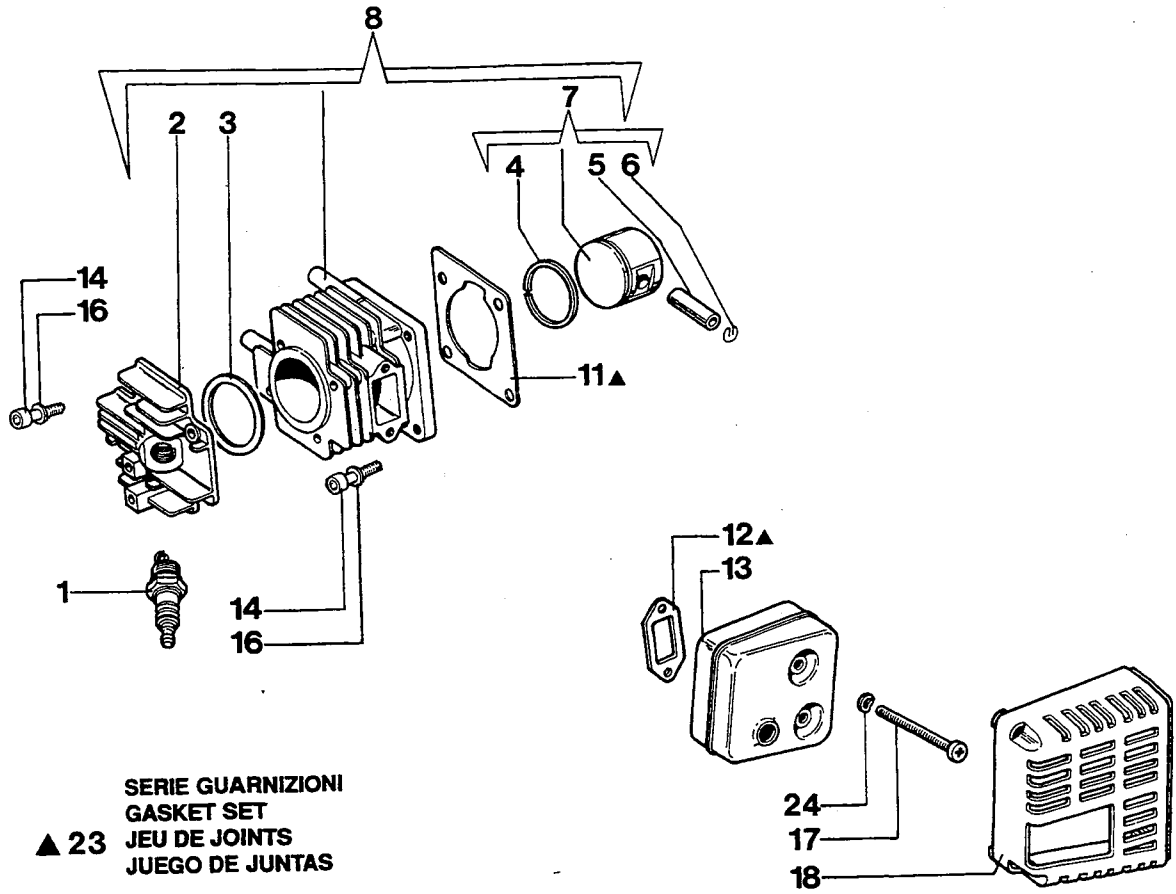
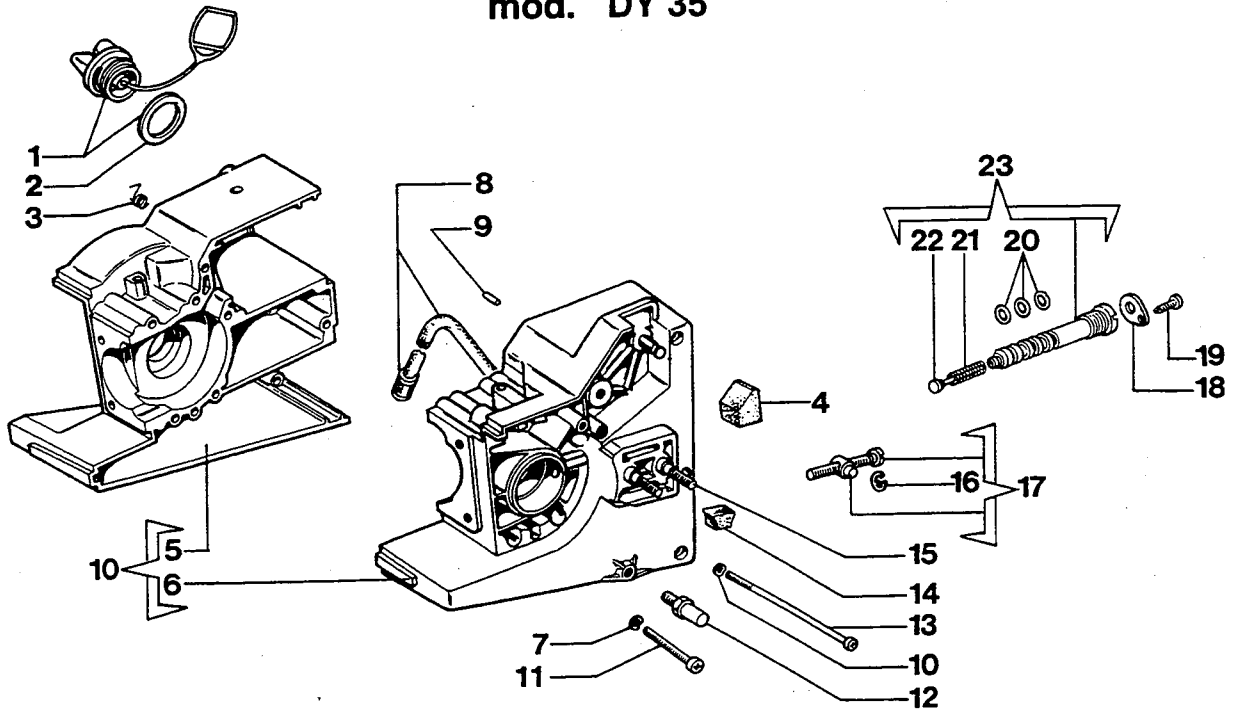


REF.	PART. NO.	SOSTITUITO DA REPLACÉ PAR REPLACED BY	DESCRIZIONE	DESCRIPTION	DESCRIPTION	DESCRIPCION	Bollettino - Bulletin	
			ITALIANO	ENGLISH	FRANÇAIS	ESPAÑOL	Gr.	N° Data-Date
1	0930.00140		VITE	SCREW	VIS	TORNILLO		
2	0930.00109		CONVOGL.	STARTER CASE	CARTER	CARTER		
3	0935.00397		IMPUGNATURA AVV. ..	HANDLE	POIGNEE	EMPUNADURA		
4	4098073		CORDA	ROPE	CORDE	CORDA		
5	0727.00089		BOCCOLA	BUSHING	BAGUE	CASQUILLO		
6	0433.00092		ANTIVIBRANTE	SHOCK ABSORBER	AMORTISSEUR	ANTIVIBRADOR		
7	0040.00132		MOLLA	SPRING	RESSORT	RESORTE		
8	0940.00033		PULEGGIA	PULLEY	POULIE	POLEA		
9	0112.00018		VITE	SCREW	VIS	TORNILLO		
10	3918005		RONDELLA	WASHER	RONDELLE	ARANDELA		
11	3960040		VITE	SCREW	VIS	TORNILLO		
12	0935.00522		CONVOGL. COMPL.	STARTER ASSY	DEMARRAGE COMPL.	ARRANQUE COMPL.		
13	0040.00436		PERNO	PAWL PIN	BOULON	PERNO		
14	0040.00140		ARPIONCINO	PAWL	CLIQUET	UNA		
15	0040.00139		MOLLA	SPRING	RESSORT	RESORTE		
16	0941.00073		VOLANO	FLYWHEEL	VOLANT	VOLANTE		
17	3912009		DADO	NUT	ECROU	TUERCA		
18	0050.00361		RONDELLA	WASHER	RONDELLE	ARANDELA		
19	0040.00442		VITE	SCREW	VIS	TORNILLO		
20	0060.00315		RONDELLA	WASHER	RONDELLE	ARANDELA		
21	0060.00152		RONDELLA	WASHER	RONDELLE	ARANDELA		
22	0040.00188		MOLLA	SPRING	RESSORT	RESORTE		
23	4098064		PIPETTA + MOLLA	CAP AND SPRING	CAPUCHON + RESSORT	CUBRE BUJIA Y RESORTE ..		
24	0935.00291		CAVO	CABLE	CABLE	CABLE		
25	0935.00358		BOBINA	COIL	BOBINE	BOBINA		
26	0044.00626		BUSTA ATTREZZI	TOOL KIT	JEUDE OUTILS	KIT. HERRAM.		

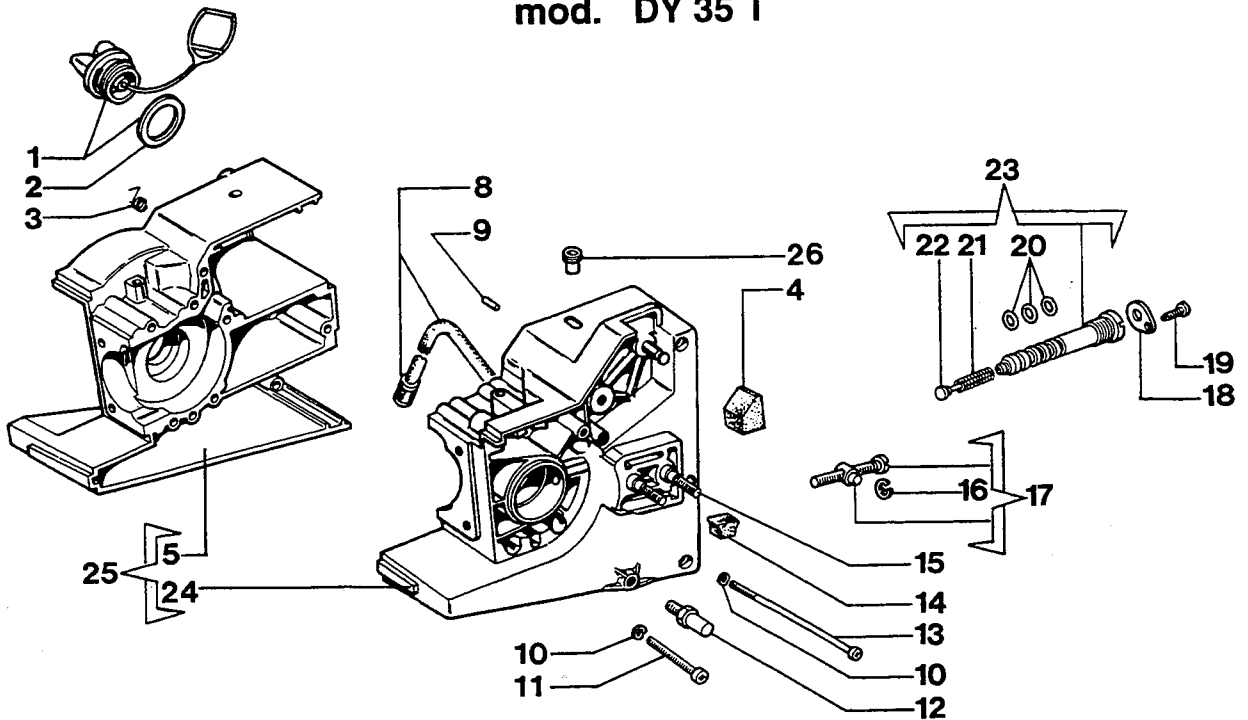


REF.	PART. NO.	SOSTITUITO DA REEMPLACÉ PAR REPLACED BY	DESCRIZIONE ITALIANO	DESCRIPTION ENGLISH	DESCRIPTION FRANÇAIS	DESCRIPCION ESPAÑOL	Bollettino - Bulletin	
							Gr.	N° Data-Date
1	0050.00019		CANDELA	SPARK PLUG	BOUGIE	BUJIA		
2	0930.00073B		TESTA CILINDRO	CYLINDER HEAD	TETE CYLINDRE	CULATA DEL CILINDRO		
3	0935.00002		GUARNIZIONE	GASKET	JOINT	JUNTA		
4	0033.00015		SEGMENTO	PISTON RING	SEGMENT	ARO PISTON		
5	0033.00951		SPINOTTO	PISTON PIN	AXE	PERNO		
6	0930.00167		ANELLO	SNAP RING	CIRCLIPS	ANILLO		
7	0935.00032		PISTONE COMPL.	PISTON ASSY	PISTON COMPL.	PISTON COMPL.		
8	0935.00090		CILINDRO COMPL.	CYLINDER ASSY	CYLINDRE COMPL.	CILINDRO COMPL.		
9	4098232		LINGUETTA	KEY	CLAVETTE	CHAVETA		
10	3037009		CUSCINETTO	BEARING	ROULEMENT	COJINETE		
11	0930.00088		GUARNIZIONE	GASKET	JOINT	JUNTA		
12	0930.00030		GUARNIZIONE	GASKET	JOINT	JUNTA		
13	0930.00289		MARMITTA	MUFFLER	POT D'ECHAPPMENT .	ESCAPE		
14	0935.00332		VITE	SCREW	VIS	TORNILLO		
15	0940.00099		CORTECO	SEALING RING	BAGUE	RETEN		
16	0060.00103		RONDELLA	WASHER	RONDELLE	ARANDELA		
17	0930.00147		VITE	SCREW	VIS	TORNILLO		
18	0930.00549		COPRIMARMITTA	MUFFLER COVER	COUVERCLE	TAPA		
19	0930.00093		CORTECO	SEALING RING	BAGUE	RETEN		
20	3025021		ANELLO	SNAP RING	CIRCLIPS	ANILLO		
21	0940.00006		CUSCINETTO	BEARING	ROULEMENT	COJINETE		
22	0935.00132		ALBERO MOTORE	SHAFT	VILEBREQUIN	CINGUENAL		
23	0930.00232		KIT GUARNIZIONI	GASKET SET	KIT JOINT	JUEGO DE JUNTAS		
24	3833073		RONDELLA	WASHER	RONDELLE	ARANDELA		

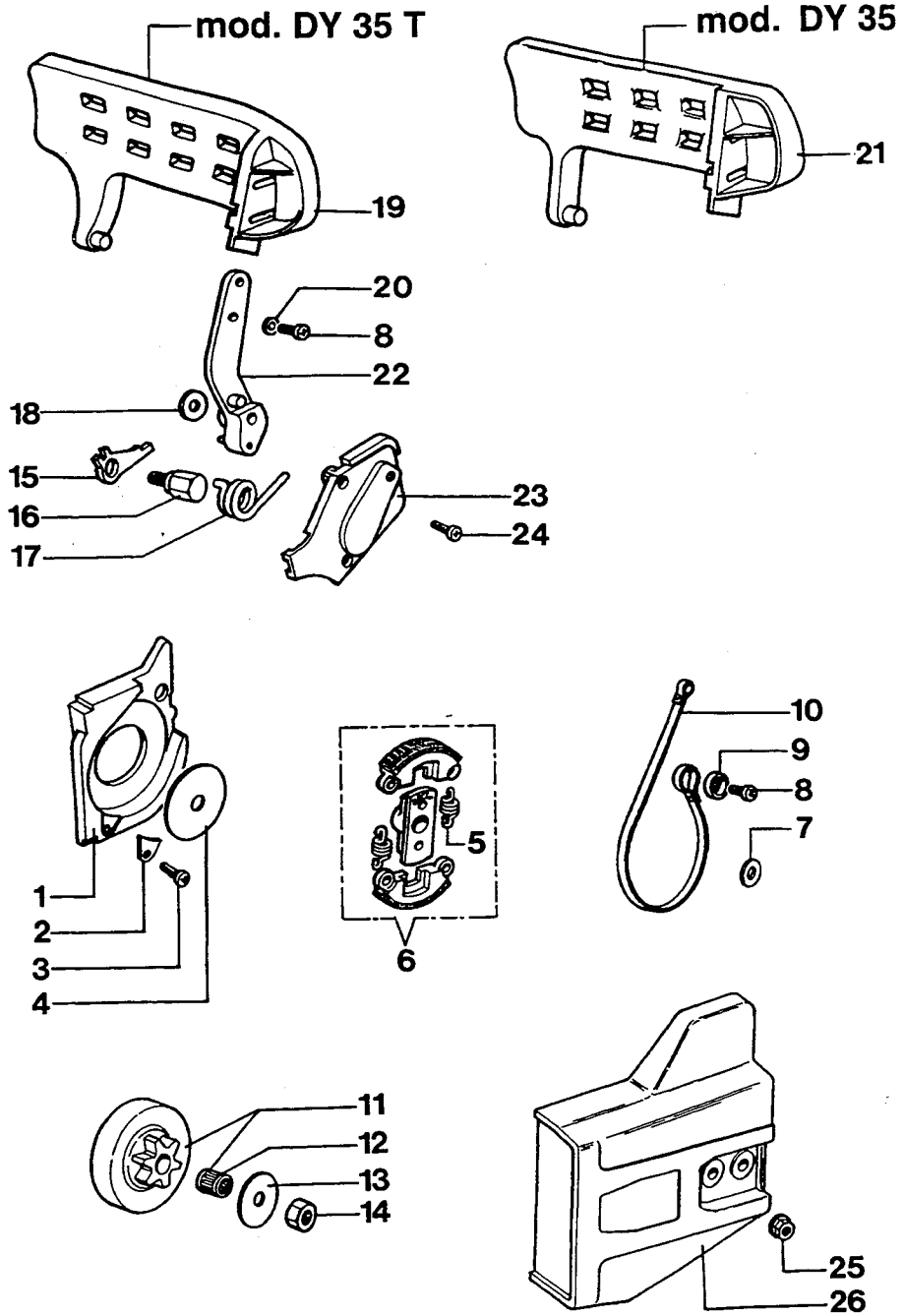
mod. DY 35



mod. DY 35 T



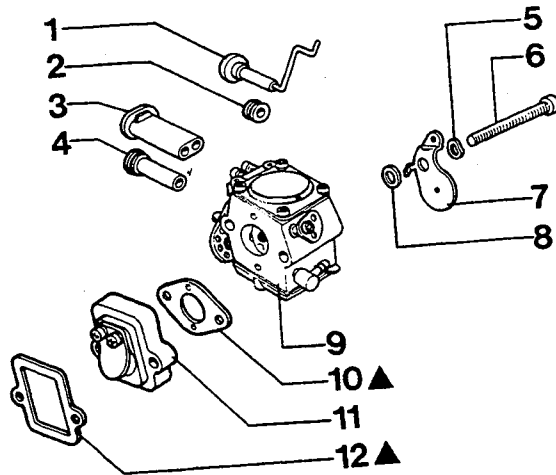
EF.	PART. NO.	SOSTITUITO DA REEMPLACÉ PAR REPLACED BY	DESCRIZIONE	DESCRIPTION	DESCRIPTION	DESCRIPCION	Boletino - Bulletin		
			ITALIANO	ENGLISH	FRANÇAIS	ESPAÑOL	Gr.	N°	Data-Date
1	0935.00421		TAPPO	CAP	BOUCHON	TAPON			
2	0945.00054		GUARNIZIONE	GASKET	JOINT	JUNTA			
3	0040.00731		MOLLA	SPRING	RESSORT	RESORTE			
4	0930.00482		SPUGNA	SPONGE	EPONGE	ESPONJA			
5	0930.00220		SEMICARTER	CRANKCASE	DEMICARTER	CARTER			
6	0930.00224		SEMICARTER	CRANKCASE	DEMICARTER	CARTER			
7	0060.00315		RONDELLA	WASHER	RONDELLE	ARANDELA			
8	0033.00509		FILTRO OLIO	OIL FILTER COMPL.	FILTRE HUILE COMPL.	FILTRO DE ACEITE			
9	0930.00090		SPINA	PIN	CHEVILLE	ESPINA			
10	0930.00228		CARTER COMPL.	CRANKCASE COMPL.	CARTER COMPL.	CARTER COMPL.			
11	0930.00142		VITE	SCREW	VIS	TORNILLO			
12	0930.00083		PERNO	PIN	GOUJON	PERNO			
13	0930.00143		VITE	SCREW	VIS	TORNILLO			
14	0930.00391		SPUGNA	SPONGE	EPONGE	ESPONJA			
15	0040.00086A		VITE	SCREW	VIS	TORNILLO			
16	3026004		ANELLO	SNAP RING	CIRCLIPS	ANILLO			
17	0935.00274		TENDICATENA COMPL.	ADJUST. COMPL.	TENDEUR DE CHAINE	TORNILLO TENSOR			
18	0935.00392		PIASTRINA	PLATE	PLAQUETTE	PLACA			
19	3960045		VITE	SCREW	VIS	TORNILLO			
20	3049002		O-R	O.RING	O.RING	O.RING			
21	0945.00064		MOLLA	SPRING	RESSORT	RESORTE			
22	0935.00463		PISTONCINO	PISTON PUMP	PISTON DE POMPE	PISTON			
23	0935.00460B		POMPA OLIO	OIL PUMP	POMPE DE HUILE	BOMBA DE ACEITE			
24	0935.00282		SEMICARTER	CRANKCASE	DEMICARTER	CARTER			
25	0935.00283		CARTER COMPL.	CRANKCASE COMPL.	CARTER COMPL.	CARTER COMPL.			
26	0935.00014		BOCCOLA	BUSHING	BAGUE	BUJIE			



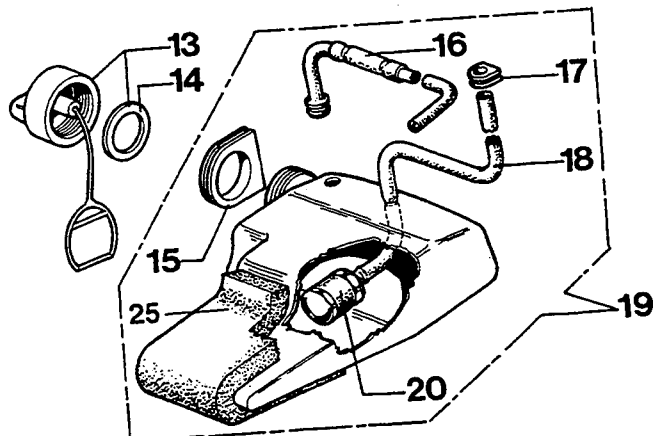
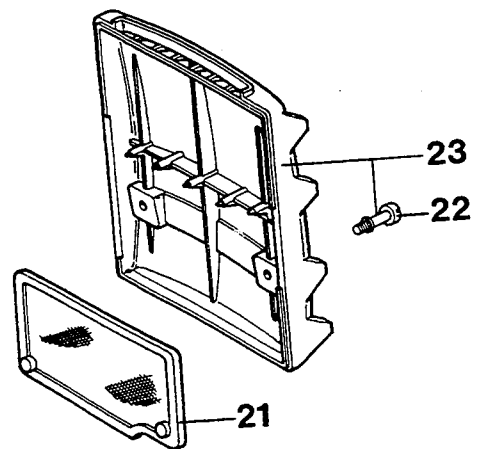
REF.	PART. NO.	SOSTITUITO DA REEMPLACÉ PAR REPLACED BY	DESCRIZIONE ITALIANO	DESCRIPTION ENGLISH	DESCRIPTION FRANÇAIS	DESCRIPCION ESPAÑOL	Bollettino - Bulletin		
							Gr.	N°	Data-Date
1	0930.00484		COPERCHIO	COVER	COUVERCLE	TAPA			
2	0930.00015		LAMIERINO	PLATE	PLAQUETTE	PLACA			
3	0930.00141		VITE	SCREW	VIS	TORNILLO			
4	0930.00019		RONDELLA	WASHER	RONDELLE	ARANDELA			
5	0040.00160		MOLLA	SPRING	RESSORT	RESORTE			
6	0935.00479		FRIZIONE COMPL	COMPL. CLUTCH	EMBAYAGE COMPL	EMBRAGUE COMPL			
7	0945.00229		RONDELLA	WASHER	RONDELLE	ARANDELA			
8	0930.00137		VITE	SCREW	VIS	TORNILLO			
9	0930.00016		BOCCOLA	BUSHING	BAGUE	BOQUILLA			
10	0930.00014		NASTRO FRENO	BRAKE BAND	COLLIER DE FREIN	CINTA DE FRENADO			
11	0930.00308		CAMPANA FRIZ.	CLUTCH DRUM	TAMBOUR D'EMBAYAGE	CAMPANA EMBRAGUE			
12	0930.00112		CUSCINETTO	BEARING	ROULEMENT	COJINETE			
13	0930.00020		RONDELLA	WASHER	RONDELLE	ARANDELA			
14	0930.00110		DADO	NUT	ECROU	TUERCA			
15	0930.00011		LEVA	LEVER	LEVIER	PALANCA			
16	0930.00012		PERNO	PIN	GOIJON	PERNO			
17	0930.00013		MOLLA	SPRING	RESSORT	RESORTE			
18	0040.00090		RONDELLA	WASHER	RONDELLE	ARANDELA			
19	0935.00511		PROTEZIONE DY 35 T	GUARD DY 35 T	PROTEGE-MAIN DY 35 T	PROTECTOR DY 35 T			
20	0945.00454		RONDELLE	WASHER	RONDELLE	ARANDELA			
21	0935.00510		PROTEZIONE DY 35	GUARD DY 35	PROTEGE-MAIN DY 35	PROTECTOR DY 35			
22	0930.00009		LEVA	LEVER	LEVIER	PALANCA			
23	0930.00008		COPERCHIETTO	COVER	COUVERCLE	TAPA			
24	0930.00138		VITE	SCREW	VIS	TORNILLO			
25	0044.00959		DADO	NUT	ECROU	TUERCA			
26	0930.00070		COPRICATENA	CHAIN COVER	COURVERCLE	CUBRECADENA			

DATA/DATE
06 / 1997

mod. DY 35 - DY 35 T

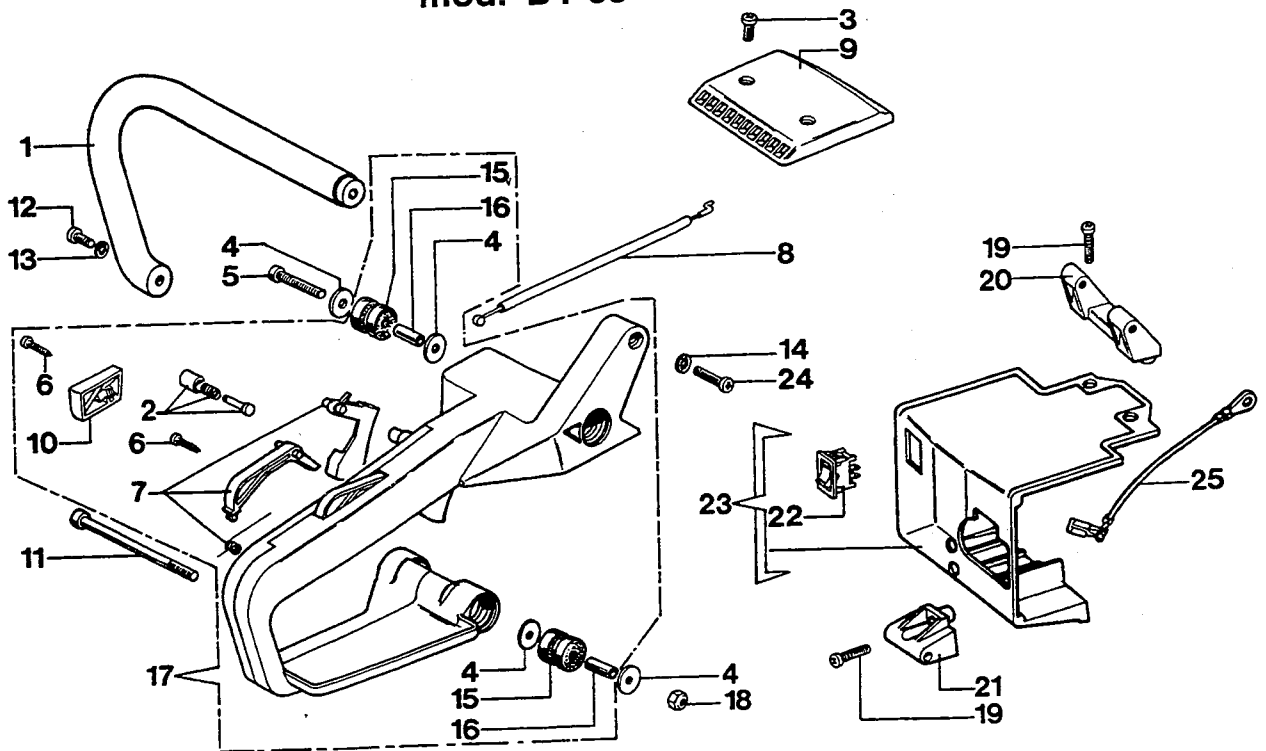


▲ 24 SERIE GUARNIZIONI
 GASKET SET
 JEU DE JOINTS
 JUEGO DE JUNTAS

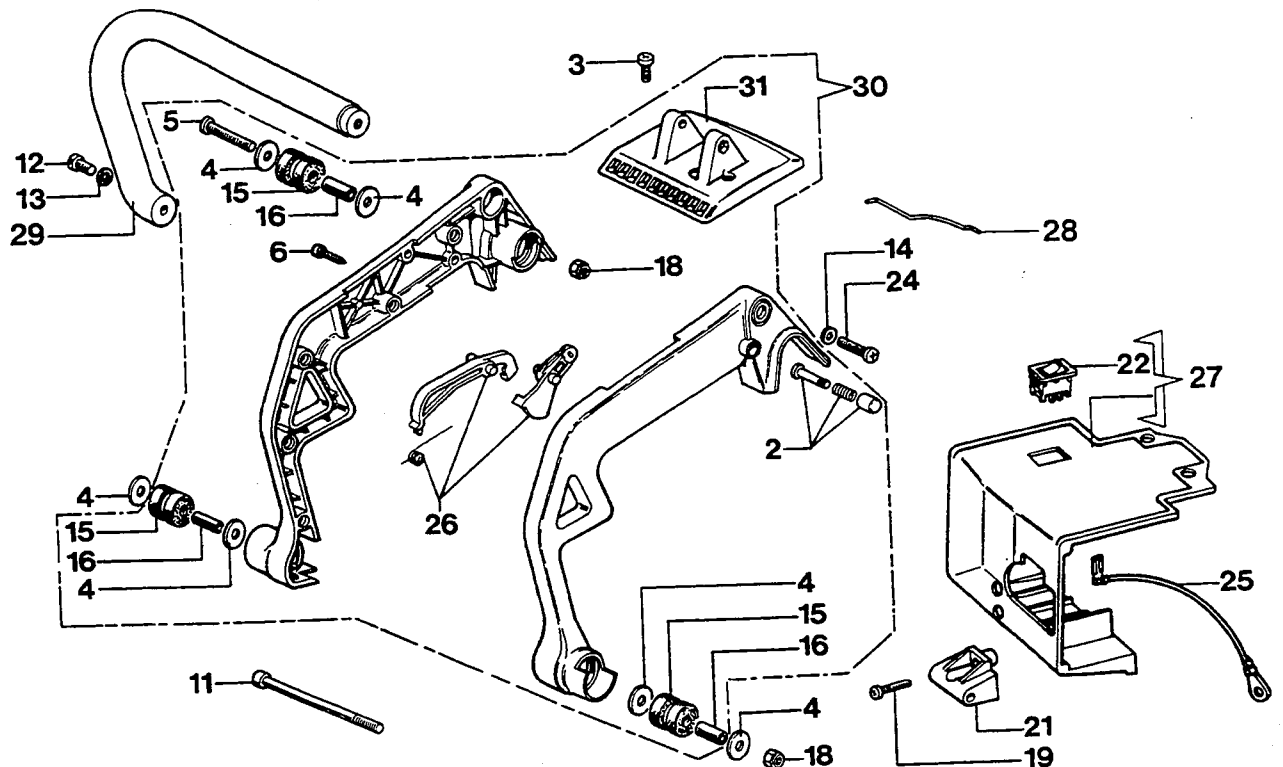


REF.	PART. NO.	SOSTITUITO DA REMPACÉ PAR REPLACED BY	DESCRIZIONE	DESCRIPTION	DESCRIPTION	DESCRIPCION	Bollettino - Bulletin	
			ITALIANO	ENGLISH	FRANÇAIS	ESPAÑOL	Gr. N°	Data-Date
1	0930.00039		LEVA ARIA	STARTER LEVER	LEVIER STARTER	PALANCA		
2	0930.00041		BOCCOLA	BUSHING	BAGUE	BOQUILLA		
3	0930.00042		GUIDA VITE	SCREW GUIDE	GUIDE VIS	GUJA DE TORNILLO		
4	0930.00043		GUIDA VITE	SCREW GUIDE	GUIDE VIS	GUIDA DE TORNILLO		
5	3833073		RONDELLA	WASHER	RONDELLE	ARANDELA		
6	0930.00148		VITE	SCREW	VIS	TORNILLO		
7	0930.00038		VALVOLA STARTER	STARTER VALVE	SOUPAPE A LEVIER	VALVULA STARTER		
8	0930.00018		RONDELLA	WASHER	RONDELLE	ARANDELA		
9	0935.00417		CARBURATORE	CARBURETOR	CARBURATEUR	CARBURADOR		
10	0040.00025		GUARNIZIONI	GASKET	JOINT	JUNTA		
11	0930.00403B		VALVOLA A LAMELLE	VALVE	SOUPAPE	VALVULA		
12	0930.00036		GUARNIZIONE	GASKET	JOINT	JUNTA		
13	0935.00422		TAPPO COMPL.	COMPL. CAP.	BOUCHON COMPL.	TAPON COMPL.		
14	0940.00078		GUARNIZIONE	GASKET	JOINT	JUNTA		
15	0930.00049		SUPPORTO SERBATOIO	TANK SUPPORT	SUPPORT RESERVOIR	SOPORTE TANQUE		
16	0935.00207		SFIATO COMPL.	TANK BREATHER	SOUPAPE COMPL.	VALVULA COMPL.		
17	0930.00047		PASSANTE	OEILLET	EYELET	PASATUBO		
18	0264.00090		TUBO MIX	FUEL LINE	TUYAU	TUBO		
19	0935.00208		SERBATOIO MIX	FUEL TANK	RESERVOIR	DEPOSITO GASOL.		
20	0945.00207		FILTRO MIX	FUEL FILTER	FILTRE MIX	FILTRO GASOL.		
21	0930.00492		FILTRO ARIA	AIR FILTER	FILTRE AIR	FILTRO AIRE		
22	0930.00468A		VITE	SCREW	VIS	TORNILLO		
23	0935.00419		COPERCHIO F.A.	AIR FILTER COVER	COUVERCLE	TAPA FILTRO		
24	0930.00232		KIT GUARNIZIONI	GASKET SET	KIT JOINTS	JUEGO DE JUNTAS		
25	0930.00494		SPUGNA	SPONGE	EPONGE	ESPONJA		

mod. DY 35



mod. DY 35 T



REF.	PART. NO.	SOSTITUITO DA REMPLECE PAR REPLACED BY	DESCRIZIONE	DESCRIPTION	DESCRIPTION	DESCRIPCION	Bollettino - Bulletin		
			ITALIANO	ENGLISH	FRANÇAIS	ESPAÑOL	Gr.	N°	Data-Date
1	0935.00428		IMPUGNATURA	HANDLE	POIGNEE	EMPUNADURA			
2	0935.00506		KIT PULSANTE	PUSH BUTTON KIT	KIT BOUTON	JUEGO DE BOTON			
3	0930.00139		VITE	SCREW	VIS	TORNILLO			
4	0054.00599		RONDELLA	WASHER	RONDELLE	ARANDELA			
5	0930.00146		VITE	SCREW	VIS	TORNILLO			
6	3960040		VITE	SCREW	VIS	TORNILLO			
7	0935.00504		KIT ACCEL.	STARTER LEVER KIT ..	ACCELERATEUR COMPL.	ACELERADOR COMPL.			
8	0930.00469		CAVO ACCEL.	TRHOTTLE CABLE	CABLE ACCEL.	CABLE ACELERADOR ..			
9	0930.00006		COPERCHIO	COVER	CORVERCLE	TAPA			
10	0935.00407		COPERCHIO	COVER	COUVERCLE	TAPA			
11	3801037		VITE	SCREW	VIS	TORNILLO			
12	0930.00149		VITE	SCREW	VIS	TORNILLO			
13	3072015		RONDELLA	WASHER	RONDELLE	ARANDELA			
14	3033074		RONDELLA	WASHER	RONDELLE	ARANDELA			
15	0930.00054		ANTIVIBRANTE	SHOCK ABSORBER	AMORTISSEUR	ANTIVIBRADOR			
16	0930.00055		TUBETTO	PIN	AXE	PERNO			
17	0935.00493		IMPUGN. COMPL.	HANDLE ASSY	POIGNEE COMPL.	EMPUNADURA COMPL.			
18	3914003		DADO	NUT	ECROU	TUERCA			
19	0930.00141		VITE	SCREW	VIS	TORNILLO			
20	0930.00052		SUPPORTO	HANDLE BRACKET	SUPPORT	SOPORTE			
21	0930.00498		SUPPORTO	HANDLE BRACKET	SUPPORT	SOPORTE			
22	2317011A		INTERRUTTORE	SWITCH	INTERRUPTEUR	INTERRUPTOR			
23	0935.00503		COPERCHIO	COVER	COUVERCLE	TAPA			
24	0727.00176		VITE	SCREW	VIS	TORNILLO			
25	0935.00420		CAVETTO	CABLE	CABLE	CABLE			
26	0935.00505		KIT ACCEL.	STARTER LEVER KIT ..	ACCELER COMPL.	ACELERADOR COMPL.			
27	0935.00502		COPERCHIO	COVER	CORUVERCLE	TAPA			
28	0935.00026		ASTA ACCEL.	STARTER LEVER	LEVIER ACCEL.	PALANCA ACELER.			
29	0935.00426		IMPUGNATURA	HANDLE	POIGNEE	EMPUNADURA			
30	0935.00509		IMPUGNATURA COMPL.	HANDLE ASSY	POIGNEE COMPL.	EMPUNADURA COMPL.			
31	0935.00403		COPERCHIO	COVER	COUVERCLE	TAPA			