



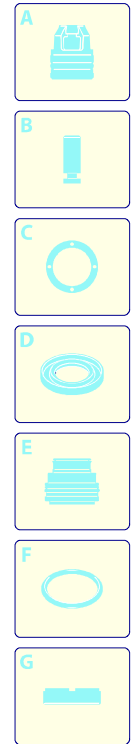
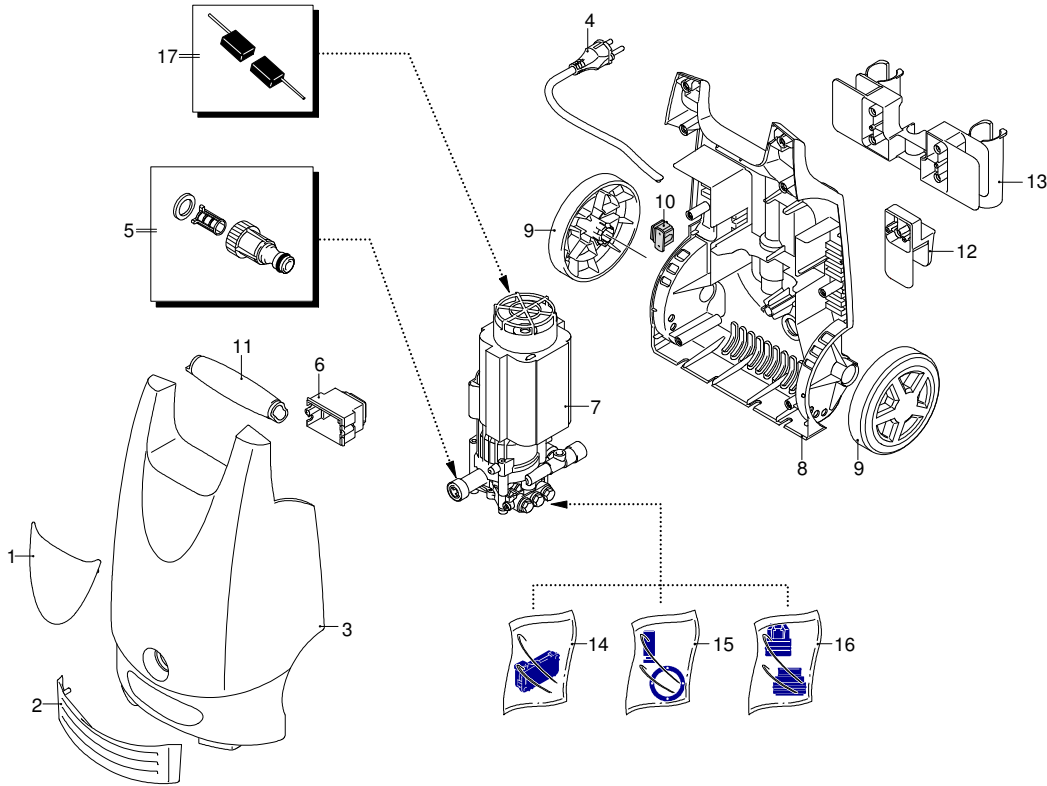
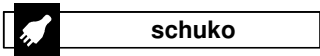
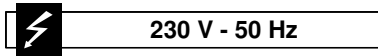
Model 260

Version:

Serial number:

Code: **12907**

08/02/2010



| Validity | Pos. | Code | Description | Q |
|----------|------|---------|------------------------|---|
| | 1 | 3083010 | Guard | 1 |
| | 2 | 3083020 | Guard | 1 |
| | 3 | 3082231 | Blue casing | 1 |
| | 4 | 50940 | Cable | 1 |
| | 5 | 3082130 | Water coupling kit | 1 |
| | 6 | 3080170 | Box | 1 |
| | 7 | 3081210 | Electric pump assembly | 1 |
| | 8 | 3080100 | Base | 1 |
| | 9 | 3080150 | Wheel | 2 |
| | 10 | 3080580 | Cable gland | 1 |
| | 11 | 3080180 | Handle | 1 |
| | 12 | 3080280 | Accessories carrier | 1 |
| | 13 | 3080190 | Accessories carrier | 1 |
| | 14 | 3081280 | TSS kit | 1 |
| | 15 | 3081270 | Piston + seals kit | 1 |
| | 16 | 3081290 | Valves + seals kit | 1 |
| | 17 | 3082580 | Brush kit for motor | 1 |



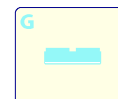
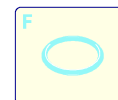
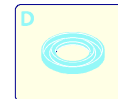
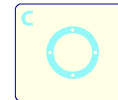
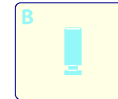
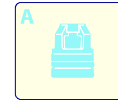
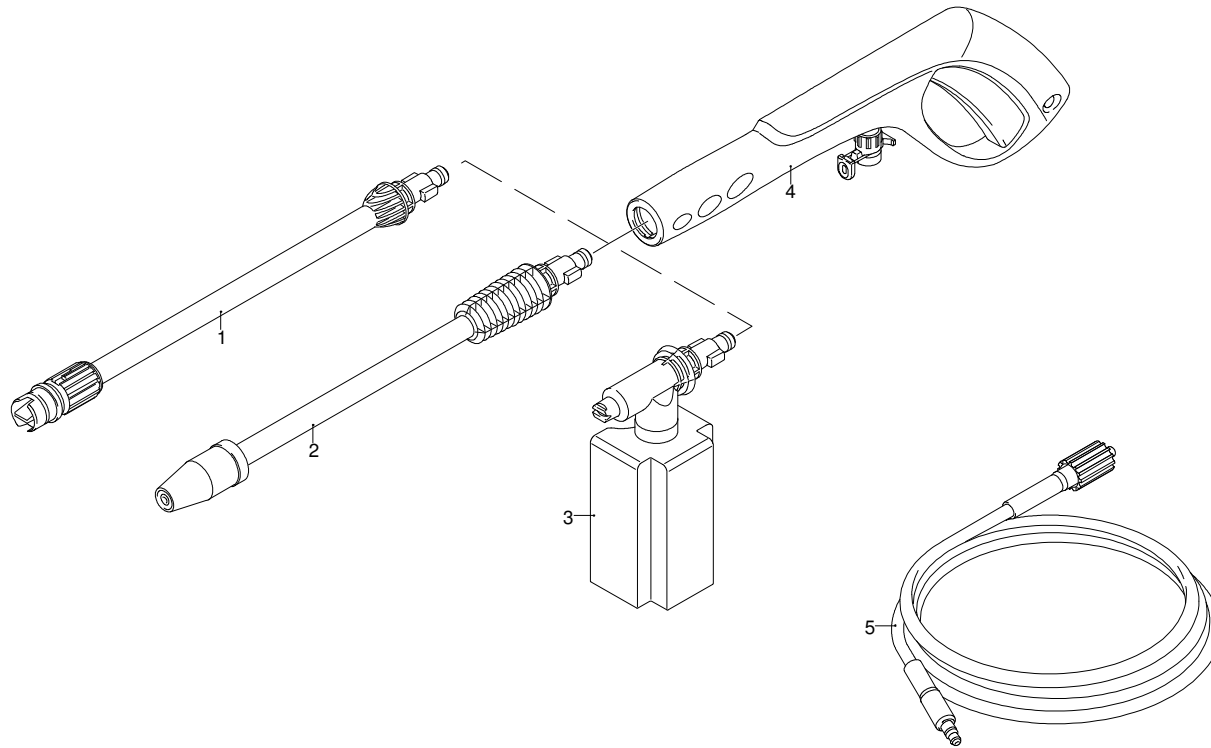
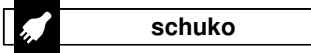
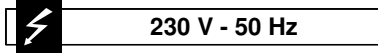
Model 260

Version:

Serial number:

Code: **12907**

08/02/2010



| Validity | Pos. | Code | Description | Q |
|----------|------|-------|--------------------|---|
| | 1 | 50970 | Lance+lance head | 1 |
| | 2 | 50971 | Lance+rotopower | 1 |
| | 3 | 50972 | Tank | 1 |
| | 4 | 50968 | Gun | 1 |
| | 5 | 50969 | High pressure hose | 1 |