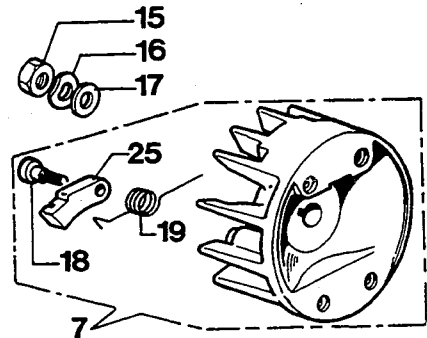
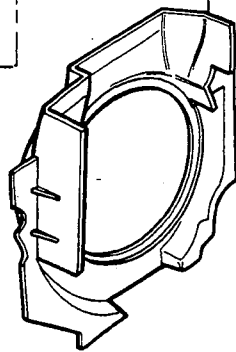
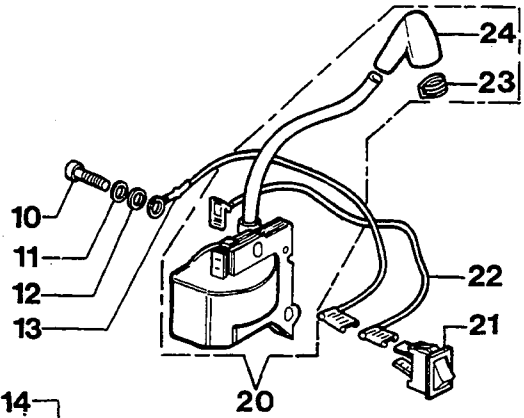
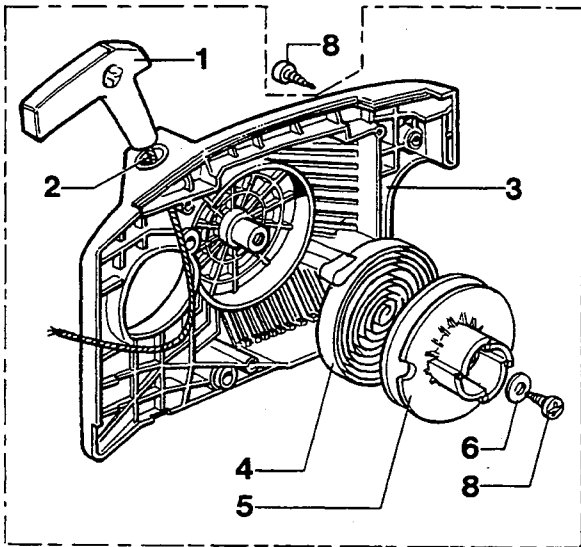
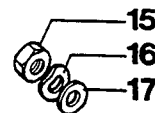
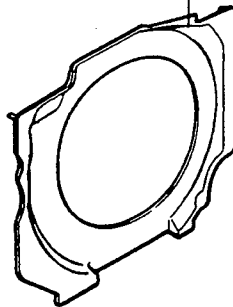
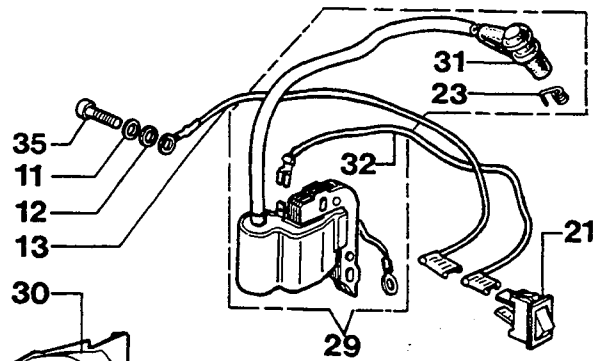
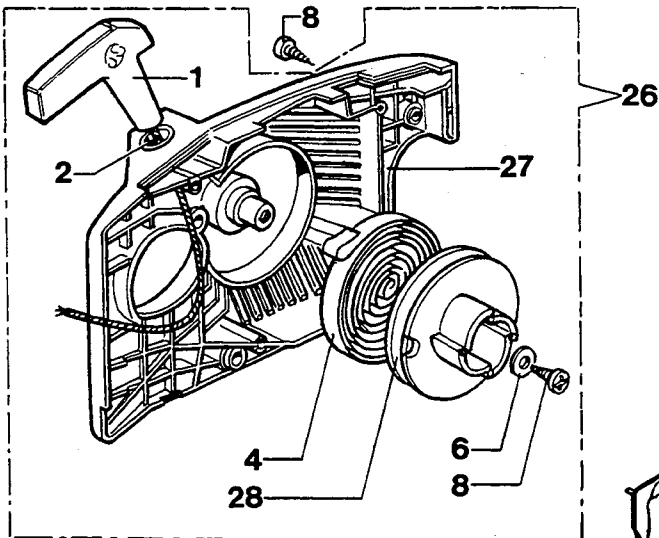


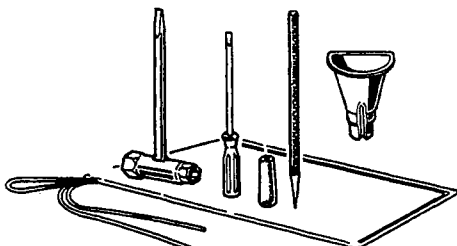
mod. DY 38 - DY 41



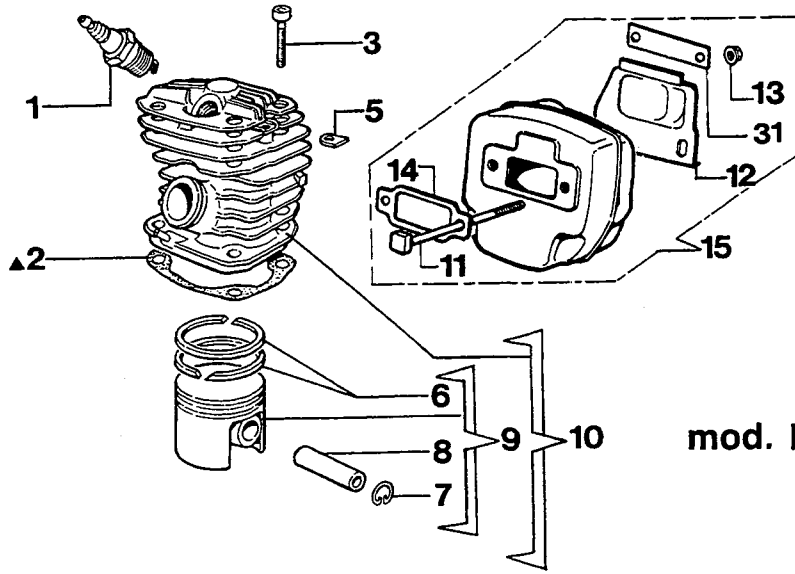
mod. DY 46 - DY 51



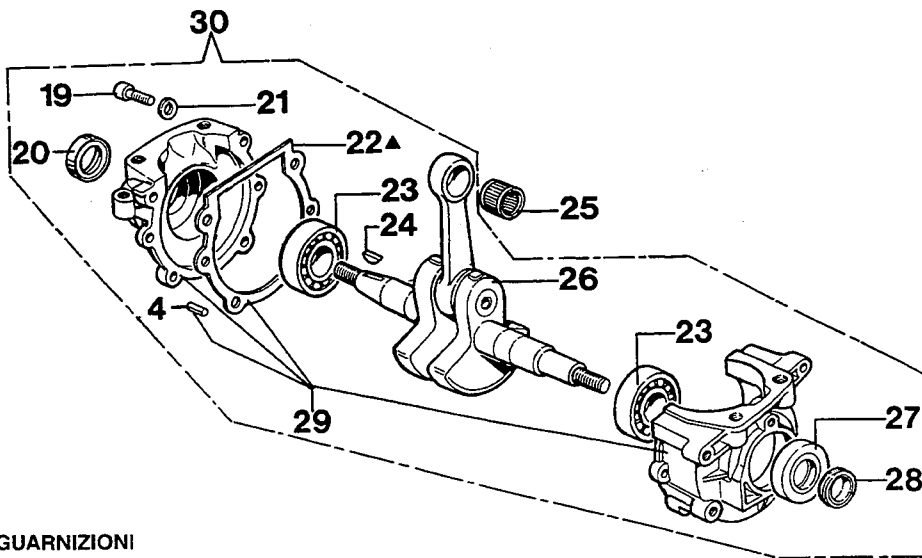
34 COMPL.



REF.	PART. NO.	SOSTITUITO DA REEMPLACÉ PAR REPLACED BY	DESCRIZIONE	DESCRIPTION	DESCRIPTION	DESCRIPCION	Bollettino - Bulletin	
			ITALIANO	ENGLISH	FRANÇAIS	ESPAÑOL	Gr.	N° Data-Date
1	0946.00384		IMPUGNATURA	HANDLE	POIGNEE	EMPUNADURA		
2	4098073		CORDA	ROPE	CORDE	CUERDA		
3	0938.00035		CONVOGL	STARTER CASE	CARTER	CARTER		
4	0040.00132		MOLLA	SPRING	RESSORT	RESORTE		
5	0940.00033		PULEGGIA	PULLEY	POULIE	POLEA		
6	0945.00034		RONDELLA	WASHER	RONDELLE	ARANDELA		
7	0941.00073		VOLANO	FLYWHEEL	VOLANT	VOLANTE		
8	0946.00041		VITE	SCREW	VIS	TORNILLO		
9	0938.00022		AVVIAM. COMPL.	STARTER ASSY	DEMARRAGE COMPL.	ARRANQUE COMPL.		
10	0940.00227		VITE	SCREW	VIS	TORNILLO		
11	0060.00152		RONDELLA	WASHER	RONDELLE	ARANDELA		
12	0060.00315		RONDELLA	WASHER	RONDELLE	ARANDELA		
13	0946.00305A		CAVO	CABLE	CABLE	CABLE		
14	0941.00006		FLANGIA	FLANGE	FLASQUE	PLACA		
15	3912009		DADO	NUT	ECROU	TUERCA		
16	3833080		RONDELLA	WASHER	RONDELLE	ARANDELA		
17	0050.00361		RONDELLA	WASHER	RONDELLE	ARANDELA		
18	0040.00436		PERNO	PAWL PIN	BOULON	PERNO		
19	0040.00139		MOLLA	SPRING	RESSORT	RESORTE		
20	0941.00025		BOBINA	COIL	BOBINE	BOBINA		
21	2317011A		INTERRUTTORE	SWITCH	INTERRUPTEUR	INTERRUPTOR		
22	0941.00026		CAVO	CABLE	CABLE	CABLE		
23	0040.00188		MOLLA	SPRING	RESSORT	RESORTE		
24	0941.00014		PIPETTA	CAP	CAPUCHON	CUBRE BUJIA		
25	0040.00140		CRICCHETTO	PAWL	CLIQUET	UNA		
26	0951.00067		AVVIAM. COMPL.	STARTER ASSY	DEMARRAGE COMPL.	ARRANQUE COMPL.		
27	0951.00085		CONVOGL	STARTER CASE	CARTER	CARTER		
28	0945.00023		PULEGGIA	PULLEY	POULIE	POLEA		
29	0946.00279		BOBINA	COIL	BOBINE	BOBINA		
30	0946.00015		FLANGIA	FLANGE	FLASQUE	PLACA		
31	0946.00097		PIPETTA	CAP	CAPUCHON	CUBRE BUJIA		
32	0946.00280		CAVO	CABLE	CABLE	CABLE		
33	0946.00404		VOLANO	FLYWHEEL	VOLANT	VOLANTE		
34	0946.00120		BUSTA ATTREZZI	TOOL KIT	JUE DE OUTILS	JUEGO DE HERRAMIENTAS		
35	0060.00024		VITE	SCREW	VIS	TORNILLO		

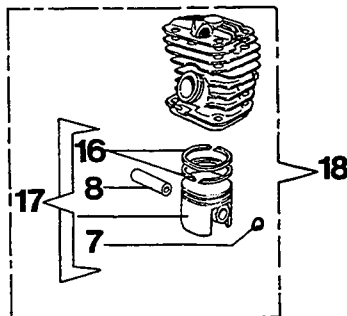


mod. DY 51



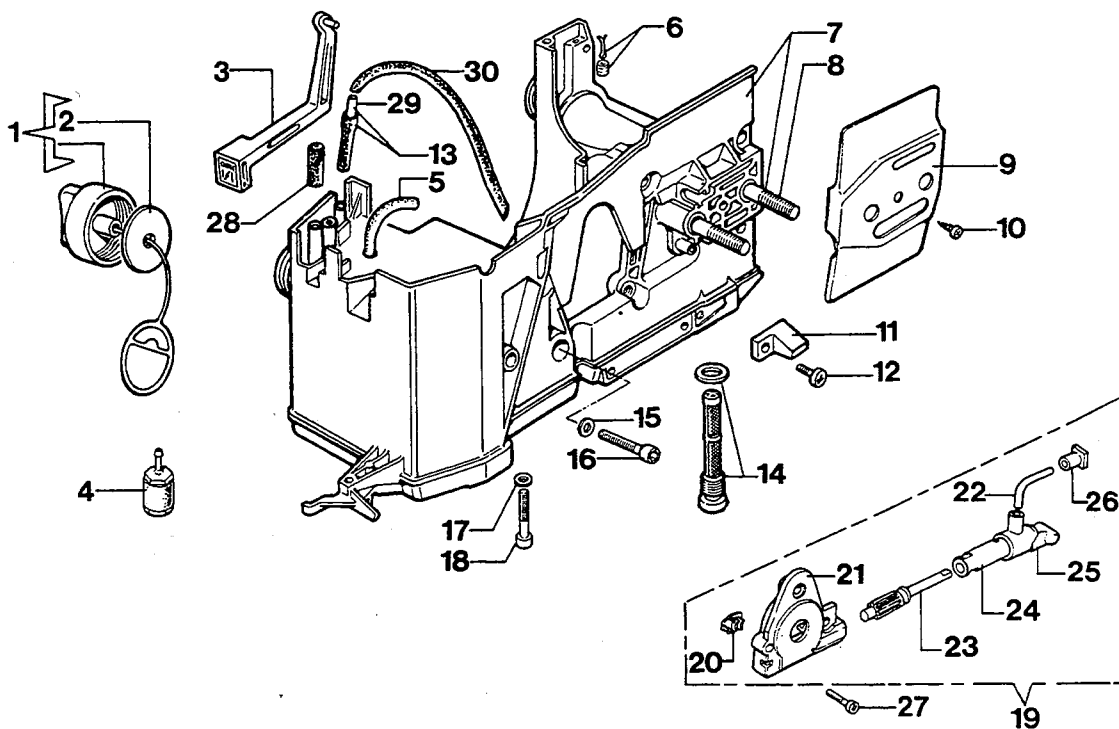
▲ 32
 SERIE GUARNIZIONI
 GASKET SET
 JEU DE JOINTS
 JUEGO DE JUNTAS

mod. DY 46

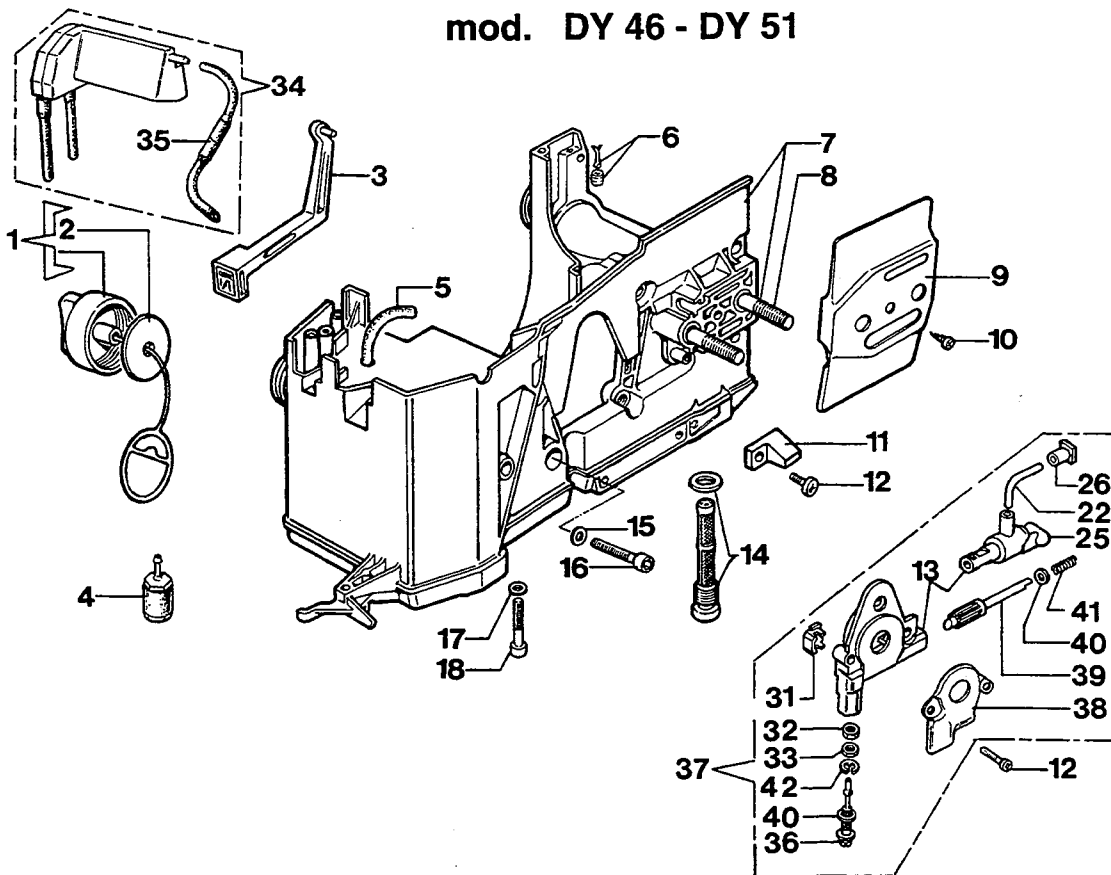


REF.	PART. NO.	SOSTITUITO DA REEMPLACÉ PAR REPLACED BY	DESCRIZIONE ITALIANO	DESCRIPTION ENGLISH	DESCRIPTION FRANÇAIS	DESCRIPCION ESPAÑOL	Bollettino - Bulletin		
							Gr.	N°	Data-Date
1	0050.00019		CANDELA	SPARK PLUG	BOUGIE	BUJIA			
2	0946.00058		GUARNIZIONE	GASKET	JOINT	JUNTA			
3	3801041		VITE	SCREW	VIS	TORNILLO			
4	0946.00042		SPINA	PIN	AXE	PERNO			
5	0946.00198		PIASTRINA	PLATE	PLAQUETTE	PLACA			
6	0054.00015		SEGMENTO Ø 46	PISTON RING Ø 46	SEGMENT Ø 46	ARO PISTON Ø 46			
7	0049.00061		ANELLO	SNAP RING	CIRCLIPS	ANILLO			
8	0950.00038		SPINOTTO	PISTON PIN	AXE PISTON	PERNO			
9	0951.00009		PISTONE COMPL. Ø 46	COMPL. PISTON Ø 46 ...	PISTON COMPL. Ø 46 ...	PISTON COMPL. Ø 46 ...			
10	0951.00008		CILINDRO COMPL. Ø 46	COMPL. CYLINDER Ø 46	CYLINDER COMPL. Ø 46	CILINDRO COMPL. Ø 46			
11	0946.00039		VITE	SCREW	VIS	SCREW			
12	0946.00024		LAMIERINO SCARICO	MUFFLER PLATE	PLAQUETTE	PLACA			
13	0946.00051		DADO	NUT	ECROU	TUERCA			
14	0946.00057		GUARNIZIONI	GASKET	JOINT	JUNTA			
15	0946.00176		MARMITTA	MUFFLER	POT D'ÉCHAPPMENT .	ESCAPE			
16	005000015		SEGMENTO Ø 44	PISTON RING Ø 44	SEGMENT Ø 44	ARO PISTON Ø 44			
17	0946.00174		PISTONE COMPL. Ø 44	COMPL. PISTON Ø 44 ...	PISTON COMPL. Ø 44 ...	PISTON COMPL. Ø 44 ...			
18	0946.00173		CILINDRO COMPL. Ø 44	COMPL. CYLINDER Ø 44	CYLINDRE COMPL. Ø 44	CILINDRO COMPL. Ø 44			
19	0355.00229		VITE	SCREW	VIS	TORNILLO			
20	0945.00004		CORTECO	SEALING RING	BAGUE	RETen			
21	3833073		RONDELLA	WASHER	RONDELLE	ARANDELA			
22	0946.00043		GUARNIZIONE	GASKET	JOINT	JUNTA			
23	3034012		CUSCINETTO	BEARING	ROULEMENT	COJINETE			
24	0945.00028		LINGUETTA	KEY	CLAVETTE	CHAVETA			
25	0940.00005		CUSCINETTO	BEARING	ROULEMENT	COJINETE			
26	0946.00026		ALBERO	SHAFT	VILEBREQUIN	CIGUENAL			
27	3050015A		CORTECO	SEALING RING	BAGUE	RETen			
28	0946.00033		VITE S.F.	WORM GEAR	VIS S.F.	SIN FIN			
29	0946.00393		COPIA CARTER	CRANK CASE	CARTER COMPL.	CARTER COMPL.			
30	0946.00107		BASAM. COMPL.	CRANK CASE ASSY	CARTER COMPL.	CARTER COMPL.			
31	0946.00358		LAMIERINO	PLATE	PLAQUETTE	PLACA			
32	0946.00414		SERIE GUARNIZ.	GASKET SET	KIT JOINTS	JUEGO DE JUNTAS			

mod. DY 38 - DY 41

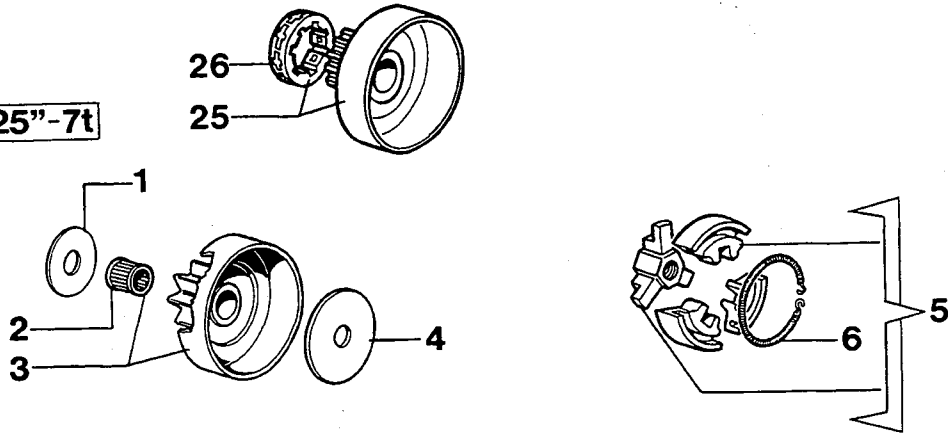


mod. DY 46 - DY 51

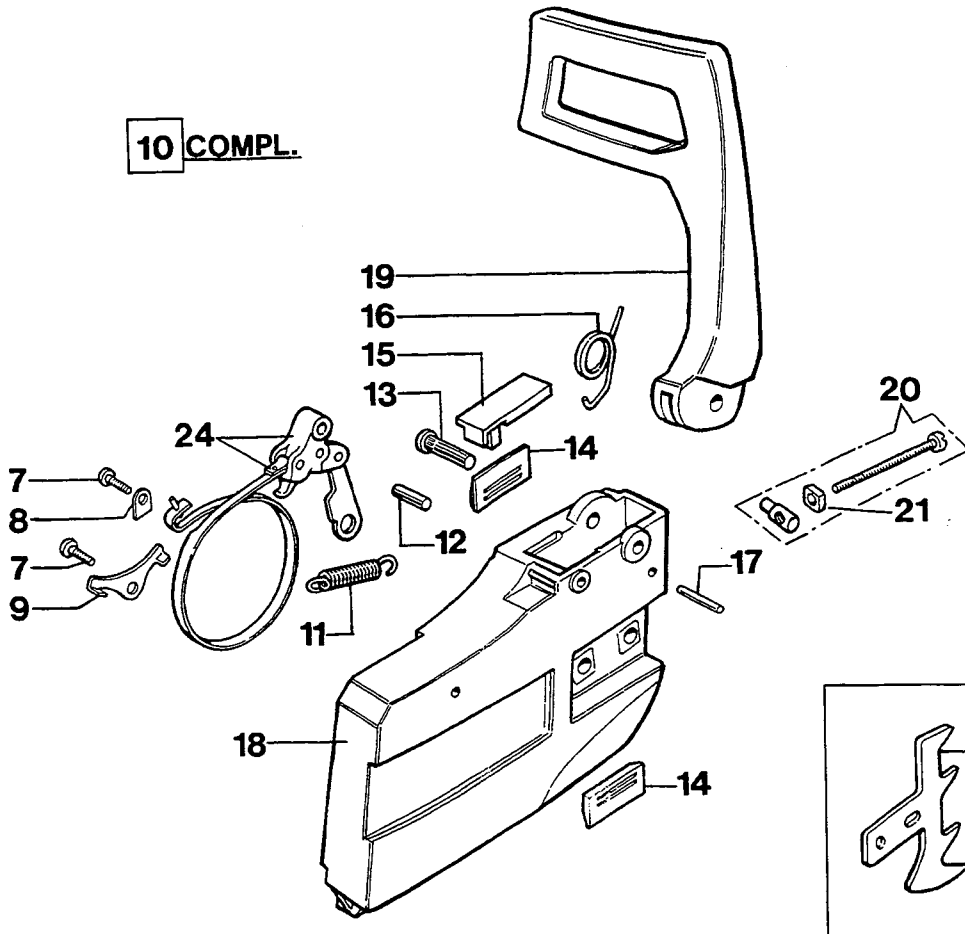


REF.	PART. NO.	SOSTITUITO DA REEMPLACÉ PAR REPLACED BY	DESCRIZIONE ITALIANO	DESCRIPTION ENGLISH	DESCRIPTION FRANÇAIS	DESCRIPCION ESPAÑOL	Bollettino - Bulletin		
							Gr.	N°	Data-Date
1	0935.00422		TAPPO COMPL.	COMPL. CAP.	BOUCHON COMPL.	TAPON			
2	0940.00078		GUARNIZIONE	GASKET	JOINT	JUNTA			
3	0946.00365		LEVA ARIA	STARTER LEVER	LEVIER STASTER	PALANCA			
4	0945.00207		FILTRO MIX	FUEL FILTER	FILTRE MIX	FILTRO MIX			
5	0946.00172		TUBO MIX	FUEL LINE	TUYAU MIX	TUBO			
6	0946.00079		SFIATO	CRANKCASE BREATHER	SOUPAPE	VALVULA			
7	0946.00167		SERBATOIO	TANK ASSY	RESERVOIR	DEPOSITO			
8	0945.00141		VITE	SCREW	VIS	SCREW			
9	0946.00044		LAMIERINO	PLATE	PLAQUETTE	PLACA			
10	0160.00137		VITE	SCREW	VIS	TORNILLO			
11	0946.00369		PROTEZIONE	PROTECTION	PROTECTION	PROTECCION			
12	0946.00041		VITE	SCREW	VIS	TORNILLO			
13	0350.00081		VALVOLA SFIATO	TANK BREATHER	SOUPAPE COMPL.	VALVULA COMPL.			
14	0945.00390		FILTRO OLIO	OIL FILTER	FILTRE HUILE	FILTRO DE ACEITE			
15	3819006		RONDELLA	WASHER	RONDELLE	ARANDELA			
16	0051.00987		VITE	SCREW	VIS	TORNILLO			
17	3833073		RONDELLA	WASHER	RONDELLE	ARANDELA			
18	0061.00303		VITE	SCREW	VIS	TORNILLO			
19	0941.00036		POMPA OLIO	OIL PUMP	POMPE HUILE	BOMBA DE ACEITE			
20	0941.00024		FERMO PIST.	PISTON RETAINER	ARRET	RETEN			
21	0941.00018		CORPO POMPA	PUMP BODY	CORPS POMPE	CUERPO BOMBA			
22	0946.00063		TUBETTO	PIPE	TUYAU	TUBO			
23	0941.00017		PISTONCINO	PUMP PISTON	PISTON POMPE	PISTON			
24	0941.00020		CORPO PIST.	PISTON BODY	CORPS PISTON	CUERPO PISTON			
25	0946.00046		RACCORDO	HOSE CONNECTION	RACCORD	MANGUITO			
26	0946.00062		RACCORDO	HOSE CONNECTION	RACCORD	MANGUITO			
27	0930.00140		VITE	SCREW	VIS	TORNILLO			
28	0740.00167		TAPPO	CAP	BOUCHON	TAPON			
29	0052.00941		SFIATO	CRANKCASE BREATHER	SOUPAPE	VALVULA			
30	0941.00027A		TUBO	BREATHER LINE	TUYAU	TUBO			
31	0946.00325		FERMO PIST.	PISTON RETAINER	ARRET	RETEN			
32	0946.00112		DADO	NUT	ECROU	TUERCA			
33	0946.00113		DADO	NUT	ECROU	TUERCA			
34	0946.00181		SERBATOIO	FUEL TANK	RESERVOIR	DEPOSITO			
35	0946.00182		SFIATO COMPL.	COMPL. BREATHER	SOUPAPE COMPL.	VALVULA COMPL.			
36	0946.00032		VITE	SCREW	VIS	TORNILLO			
37	0946.00339		POMPA OLIO COMPL.	OIL PUMP ASSY	POMPE HUILE COMPL.	BOMBA DE ACEITE			
38	0946.00335		PROTEZIONE	PROTECTION	PROTECTION	PROTECTOR			
39	0946.00030		PISTONCINO	PUMP PISTON	PISTON POMPE	PISTON BOMBA			
40	0946.00071A		RONDELLA	WASHER	RONDELLE	ARANDELA			
41	0946.00072A		MOLLA	SPRING	RESSORT	RESORTE			
42	3026004		ANELLO	SNAP RING	CIRCLIPS	ANILLO			

P. 0.325"-7t

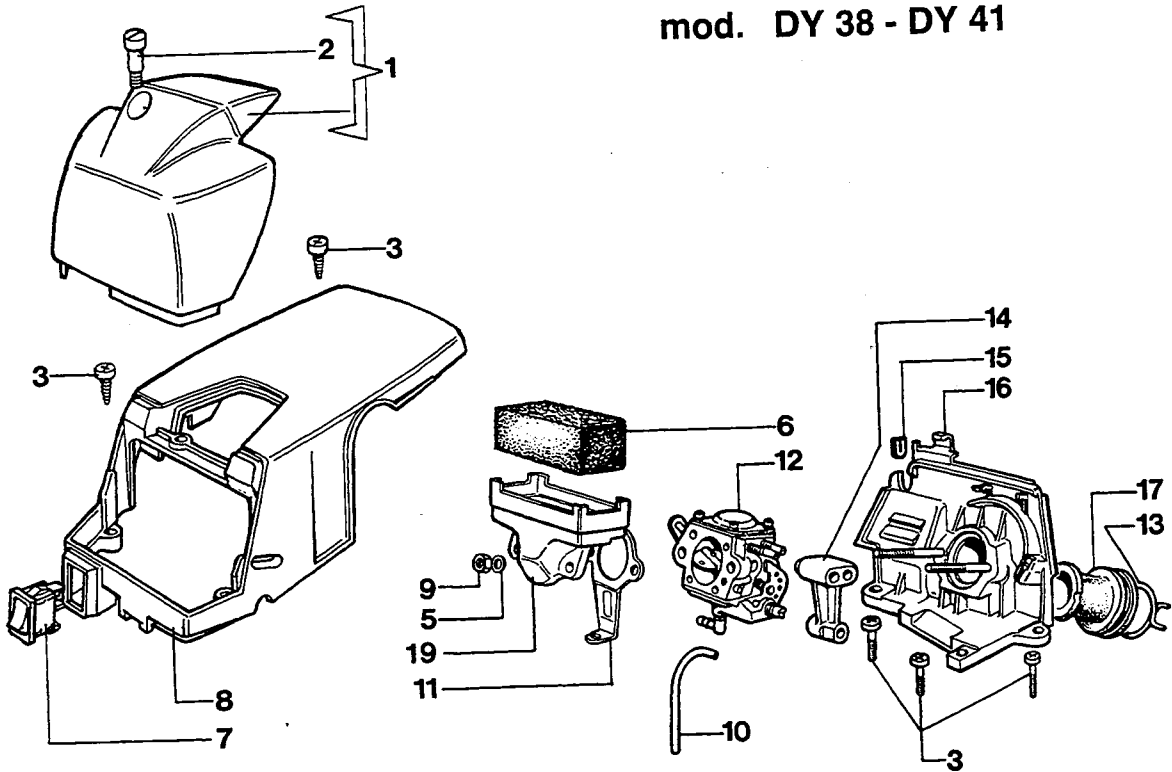


10 COMPL.

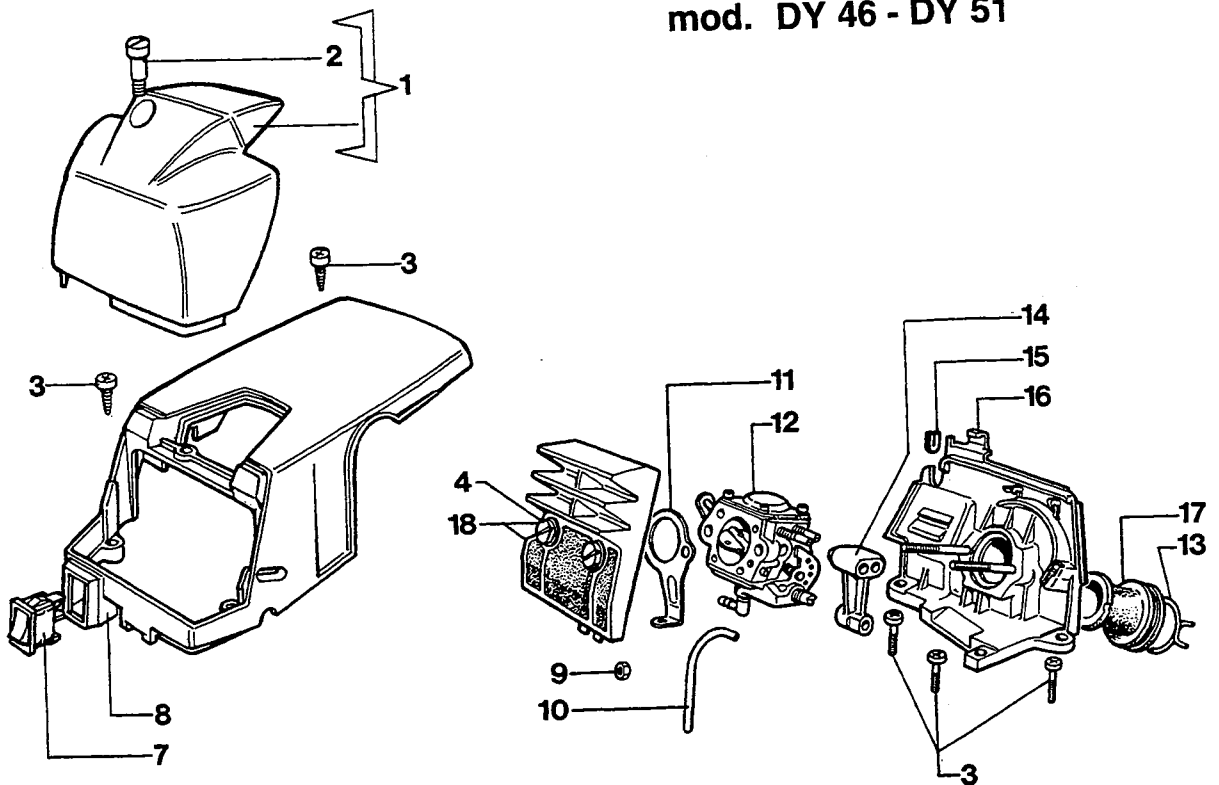


EF.	PART. NO.	SOSTITUITO DA REEMPLACÉ PAR REPLACED BY	DESCRIZIONE	DESCRIPTION	DESCRIPTION	DESCRIPCION	Bollettino - Bulletin	
			ITALIANO	ENGLISH	FRANÇAIS	ESPAÑOL	Gr.	N° Data-Date
1	0945.00033		RONDELLA	WASHER	RONDELLE	ARANDELA		
2	0050.00165		CUSCINETTO	BEARING	ROULEMENT	COJINETE		
3	0945.00761		PIGNONE 0,325" - 7D..	SPROCKET 0,325" - 7T	PIGNON 0,325" - 7D	PINON 0,325" - 7D		
4	0040.00352		RONDELLA	WASHER	RONDELLE	ARANDELA		
5	0940.00129		FRIZIONE COMPL.....	COMPL. CLUTCH	EMBAYAGE COMPL. .	EMBAGUE COMPL.		
6	0945.00029		MOLLA FRIZIONE	CLUTCH SPRING	RESSORT EMBRAYAGE	RESORTE EMBRAGUE		
7	0946.00041		VITE	SCREW	VIS	TORNILLO		
8	0946.00198		LAMIERINO	PLATE	PLAQUETTE	PLACA		
9	0950.00286		LAMIERINO	PLATE	PLAQUETTE	PLACA		
10	0951.00068		COPRIC. COMPL.	CHAIN COVER ASSY ...	COUVERCLE COMPL. ..	CUBRECADENA COMPL.		
11	0950.00219		MOLLA	SPRING	RESSORT	RESORTE		
12	0950.00291		PERNO	PIN	AXE	PERNO		
13	0950.00226		PERNO	PIN	AXE	PERNO		
14	0950.00222		PROTEZIONE	PROTECTION	PROTECTION	PROTECTOR		
15	0946.00370		COPERCHIO	COVER	COUVERCLE	TAPA		
16	0950.00220		MOLLA	SPRING	RESSORT	RESORTE		
17	0950.00290		PERNO	PIN	AXE	PERNO		
18	0951.00087		COPRICATENA	CHAIN COVER	COUVERCLE	CUBRECADENA		
19	0951.00038		PROTEZIONE	HAND GUARD	PROTEGE MAIN	PROTECTOR		
20	50012026		TENDICATENA COMPL.	ADJUST COMPL.	TENDEUR COMPL.	TORNILLO TENSOR		
21	50010079		FERMO VITE	SCREW LOCK	ARRET VIS	RETEN TORNILLO		
22	0946.00074		ARTIGLIO	SPIKE	GRIFFE	ARPON		
23	0945.00155		DADO	NUT	ECROU	TUERCA		
24	0946.00178		NASTRO FRENO	BRAKE BAND	COLLIER DE FREIN	CINTA DE FRENADO ...		
25	0945.00298		PIGNONE COMPL. 0,325" - 7D	COMPL. SPROCKET 0,325" - 7T	PIGNON COMPL. 0,325" - 7D	PINON COMPL. 0,325" - 7D ...		
26	0945.00046		PIGNONE 0,325" - 7D..	RIM SPROCKET 0,325" - 7T	PIGNON 0,325" - 7D	PINON 0,325" - 7D		

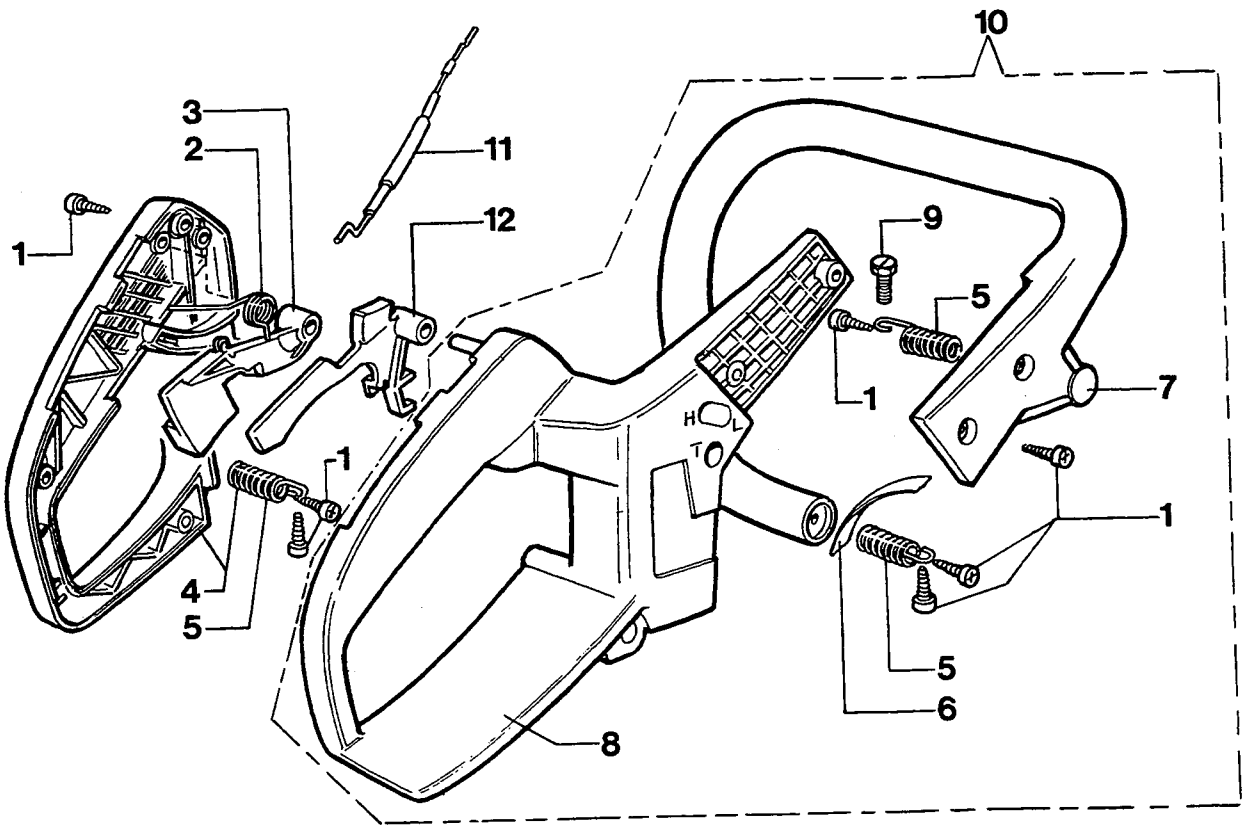
mod. DY 38 - DY 41



mod. DY 46 - DY 51



REF.	PART. NO.	SOSTITUITO DA REPLACÉ PAR REPLACED BY	DESCRIZIONE	DESCRIPTION	DESCRIPTION	DESCRIPCION	Bollettino - Bulletin	
			ITALIANO	ENGLISH	FRANÇAIS	ESPAÑOL	Gr.	N° Data-Date
1	0951.00097		COPERCHIO FILTRO ARIA.	AIR FILTER COVER	COUVERCLE	TAPA FILTRO		
2	0930.00468A		VITE	SCREW	VIS	TORNILLO		
3	0946.00041		VITE	SCREW	VIS	TORNILLO		
4	0945.00070		VITE	SCREW	VIS	TORNILLO		
5	3833073		RONDELLA	WASHER	RONDELLE	ARANDELA		
6	0941.00009		FILTRO ARIA	AIR FILTER	FILTRE AIR	FILTRO AIRE		
7	2317011A		INTERRUTTORE	SWITCH	INTERRUPTEUR	INTERRUPTOR		
8	0951.00095		COP. CILINDRO	CYLINDER COVER	COUVERCLE CYL.	TAPA CILINDRO		
9	0060.00191		DADO	NUT	ECROU	TUERCA		
10	0946.00126		TUBO MIX	FUEL LINE	TUYAU	TUBO		
11	0946.00056		FLANGIA	FLANGE	BRIDE	SOPORTE		
12	0946.00047		CARBURATORE	CARBURETOR	CARBURATEUR	CARBURADOR		
13	0946.00103		ANELLO	SNAP RING	CIRCLIPS	ANILLO		
14	0946.00070		GUIDA VITI	SCREW GUIDE	GUIDE VIS	GUIDA DE TORNILLO ..		
15	0050.00347A		PASSACAVO	FAIRLEAD	PASSACABLE	PASACABLE		
16	0946.00131A		SUPPORTO CARB.	CARBUR. SUPPORT ...	SUPPORT CARB.	SOPORTE CARBUR.		
17	0946.00018		COLLETTORE	MANIFOLD	COLLECTEUR	CODO		
18	0946.00036A		FILTRO ARIA	AIR FILTER	FILTRE AIR	FILTRO AIRE		
19	0941.00008A		SUPPORTO FILTRO ...	FILTER BODY	SUPPORT FILTRE	SOPORTE FILTRE		



EF.	PART. NO.	SOSTITUITO DA REEMPLACÉ PAR REPLACED BY	DESCRIZIONE ITALIANO	DESCRIPTION ENGLISH	DESCRIPTION FRANÇAIS	DESCRIPCION ESPAÑOL	Bollettino - Bulletin	
							Gr. N°	Data-Date
1	0946.00041		VITE	SCREW	VIS	TORNILLO		
2	0946.00068C		MOLLA	SPRING	RESSORT	RESORTE		
3	0951.00039		ACCELERATORE	THROTTLE LEVER	LEVIER ACCEL.	PALANCA ACELER.		
4	0951.00059		COPERCHIO IMP.	HANDLE COVER	CORVERCLE POIGNEE	TAPA EMPUNADURA		
5	0946.00101A		MOLLA	SPRING	RESSORT	RESORTE		
6	0946.00077		TELA	ROPE	BAND	CORREA		
7	0951.00043		IMPUGNATURA	HANDLE	POIGNEE	EMPUNADURA		
8	0951.00041		IMPUGNATURA	HANDLE	POIGNEE	EMPUNADURA		
9	0999.00297		VITE	SCREW	VIS	TORNILLO		
10	0951.00058		IMPUGN. COMPL.	HANDLE ASSY	POIGNEE COMPL.	EMPUNADURA COMPL.		
11	0946.00059		FILO ACCEL.	THROTTLE CABLE	CABLE ACCEL.	CABLE ACELER.		
12	0951.00040		LEVA FERMO ACCEL.	CHOKE LEVER	LEVIER STARTER	PALANCA		